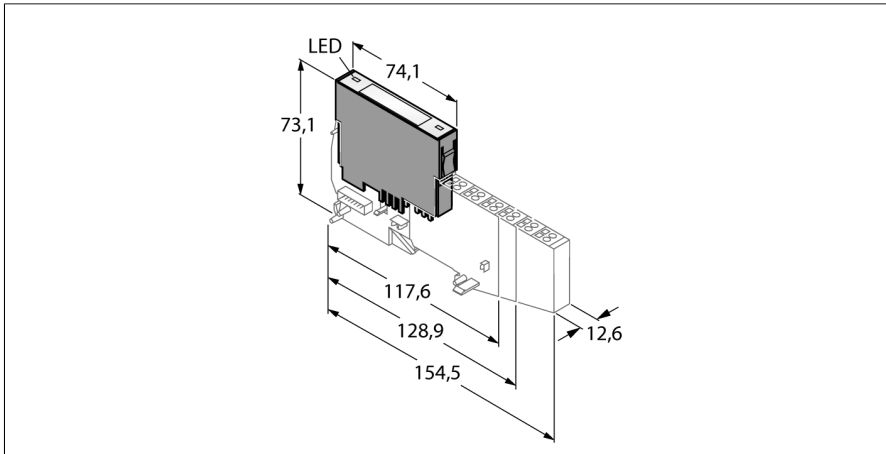


BL20 electronic module

Power Feeding Module with Diagnostics Function

BL20-PF-24VDC-D



- Fieldbus and connection technology independent
- Protection class IP20
- LEDs indicating system status, field supply and diagnostic information
- Can be used to form potential groups
- Supplies field with 24 VDC nominal voltage

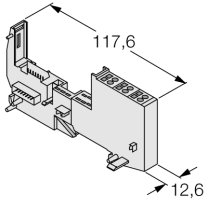
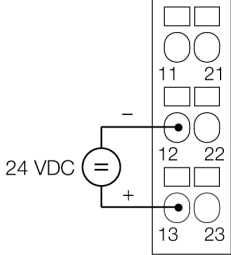
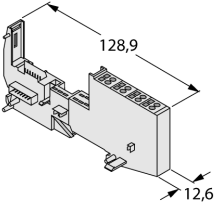
Functional principle

BL20 electronic modules are plugged into the purely passive base modules which are used for connection of field devices. Maintenance is significantly facilitated due to separation of the connection level from the module electronics. Furthermore flexibility is enhanced because the base modules provide a choice of tension spring or screw connection technology.

The electronic modules are completely independent of the type of higher level field bus through the use of gateways.

Type	BL20-PF-24VDC-D
ID	6827007
Field supply	24 VDC
Admissible range	18...30 VDC
Nominal current from module bus	≤ 28 mA
Max. field supply current	10 A
Output connectivity	Screw, tension spring
Number of diagnostic bits	4
Dimensions (W x L x H)	12.6 x 74.1 x 55.4 mm
Approvals	CE, cULus, zone 2, Class I, Div. 2
Ambient temperature	0...+55 °C
Storage temperature	-25...+85 °C
Relative humidity	15...95 %, no condensation allowed
Vibration test	Acc. to EN 61131
Shock test	Acc. to IEC 60068-2-27
Drop and topple	acc. to IEC 68-2-31 and free fall to IEC 68-2-32
Electromagnetic compatibility	Acc. to EN 50082-2
Protection class	IP20
MTTF	1663 years acc. to SN 29500 (Ed. 99) 20 °C

Compatible base modules

Dimension drawing	Type	Pin configuration
	<p>BL20-P3T-SBB 6827036 Tension spring connection</p> <p>BL20-P3S-SBB 6827037 Screw connection</p>	<p>Wiring Diagram</p> 
	<p>BL20-P4T-SBBC 6827038 Tension spring connection, access to C rail</p> <p>BL20-P4S-SBBC 6827039 Screw connection, access to C rail</p>	<p>Wiring Diagram</p> 