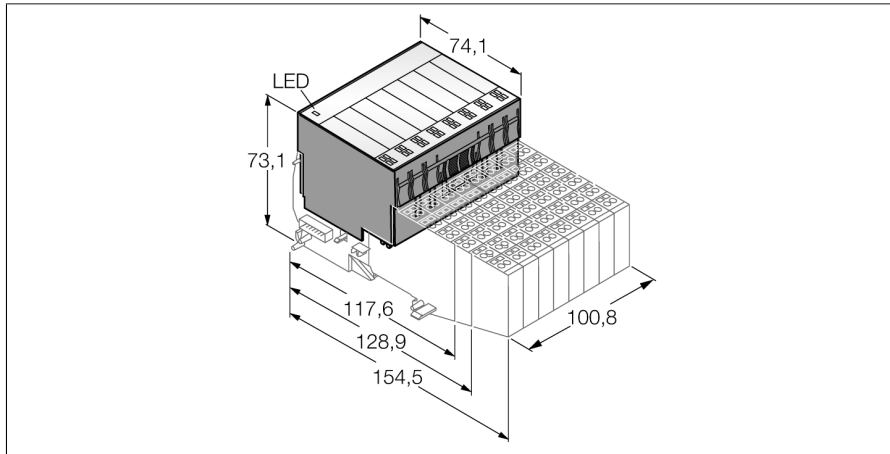


BL20 electronic module

32 Digital Inputs, PNP

BL20-32DI-24VDC-P



- Fieldbus and connection technology independent
- Protection class IP20
- LEDs indicate status and diagnostic
- Electronics galvanically separated from the field level via optocouplers
- 32 digital inputs, 24 VDC, PNP switching

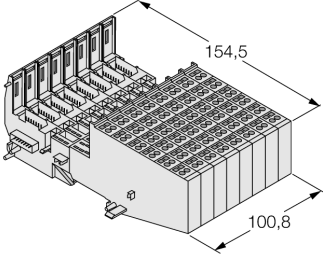
Functional principle

BL20 electronic modules are plugged into the purely passive base modules which are used for connection of field devices. Maintenance is significantly facilitated due to separation of the connection level from the module electronics. Furthermore flexibility is enhanced because the base modules provide a choice of tension spring or screw connection technology.

The electronic modules are completely independent of the type of higher level field bus through the use of gateways.

Type	BL20-32DI-24VDC-P
ID	6827015
Number of channels	32
Rated voltage from the supply terminal	24 VDC
Nominal current from field supply	≤ 30 mA
Nominal current from module bus	≤ 45 mA
Power dissipation, typical	≤ 4.2 W
Inputs	
Input type	PNP
Low-level signal voltage	-30...+5 V
High level signal voltage	15...30 V
Low level signal current	< 1.5 mA
High level signal current	2...10 mA
Input delay	< 0.2 ms
Electrical isolation	electronics for the field level
Output connectivity	Screw, tension spring
Dimensions (W x L x H)	100.8 x 74.1 x 55.4 mm
Approvals	CE, cULus, zone 2, Class I, Div. 2
Ambient temperature	0...+55 °C
Storage temperature	-25...+85 °C
Relative humidity	15...95 %, no condensation allowed
Vibration test	Acc. to EN 61131
Shock test	Acc. to IEC 60068-2-27
Drop and topple	acc. to IEC 68-2-31 and free fall to IEC 68-2-32
Electromagnetic compatibility	Acc. to EN 50082-2
Protection class	IP20

Compatible base modules

Dimension drawing	Type	Pin configuration
	<p>BL20-B6T-SBBSBB 6827065 Tension spring connection</p> <p>BL20-B6S-SBBSBB 6827067 Screw connection</p>	<p>Wiring Diagram</p> 