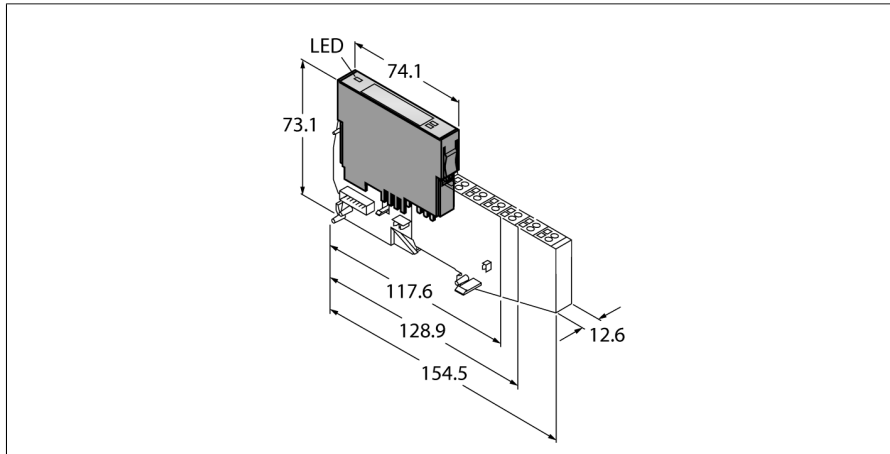


BL20 electronic module

Relay Module, 2 Complementary Contacts

BL20-2DO-R-CO



- Fieldbus and connection technology independent
- Protection class IP20
- LEDs indicate status and diagnostic
- Electronics galvanically separated from the field level via optocouplers
- 2 channels as changeover contacts

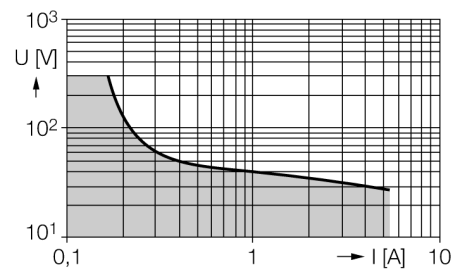
Functional principle

BL20 electronic modules are plugged into the purely passive base modules which are used for connection of field devices. Maintenance is significantly facilitated due to separation of the connection level from the module electronics. Furthermore flexibility is enhanced because the base modules provide a choice of tension spring or screw connection technology.

The electronic modules are completely independent of the type of higher level field bus through the use of gateways.

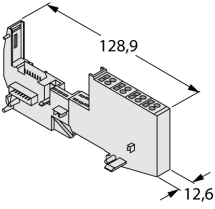
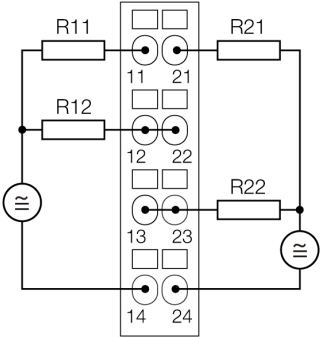
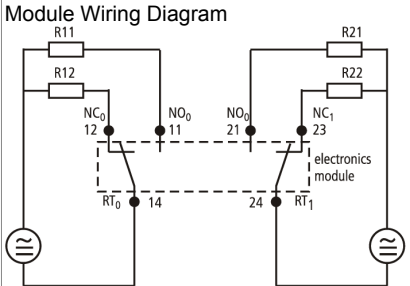
Load limit curve

Definition: At 1000 switching cycles, a standing electric arc of > 10 ms may not occur.



Type	BL20-2DO-R-CO
ID	6827030
Number of channels	2, complementary contacts, galvanically isolated
Rated voltage from the supply terminal	24 VDC
Nominal current from field supply	≤ 20 mA
Nominal current from module bus	≤ 28 mA
Power dissipation, typical	≤ 1 W
Output connectivity	Screw, tension spring
Outputs	
Load type	resistive, inductive, lamp load
Rated load voltage	230/30 VAC/DC
Simultaneity factor	1
Useful lifetime at 230 VAC, 5 A	100000
Useful lifetime at 230 VAC, 0.5 A	1000000
Output current with DC voltage (resistive)	see load limit curve
Electrical isolation	electronics for the field level
Dimensions (W x L x H)	12.6 x 74.1 x 55.4 mm
Approvals	CE, cULus, zone 2, Class I, Div. 2
Ambient temperature	0...+55 °C
Storage temperature	-25...+85 °C
Relative humidity	15...95 %, no condensation allowed
Vibration test	Acc. to EN 61131
Shock test	Acc. to IEC 60068-2-27
Drop and topple	acc. to IEC 68-2-31 and free fall to IEC 68-2-32
Electromagnetic compatibility	Acc. to EN 50082-2
Protection class	IP20
MTTF	1517 years acc. to SN 29500 (Ed. 99) 20 °C

Compatible base modules

Dimension drawing	Type	Pin configuration
	<p>BL20-S4T-SBBS 6827046 Tension spring connection</p> <p>BL20-S4S-SBBS 6827047 Screw connection</p>	<p>Wiring Diagram</p>  <p>Module Wiring Diagram</p> 

Accessories

Type code	Ident no.		Dimension drawing
ZBW5-2BETÄTIGUNGSWE	6827106	Tension spring tool	