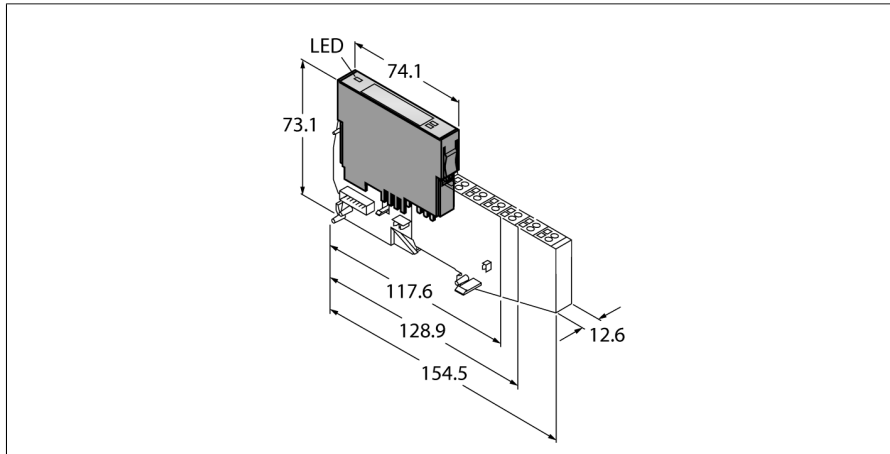


# BL20 electronic module

## 2 Digital Outputs, 230 VAC, 0.5 A

### BL20-2DO-120/230VAC-0.5A



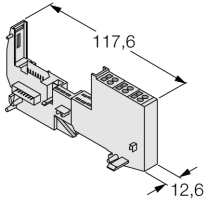
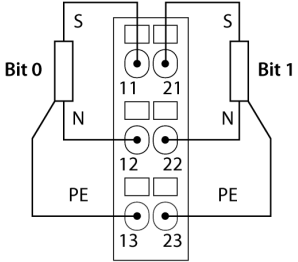
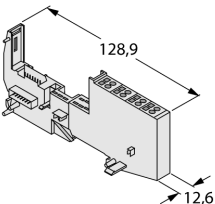
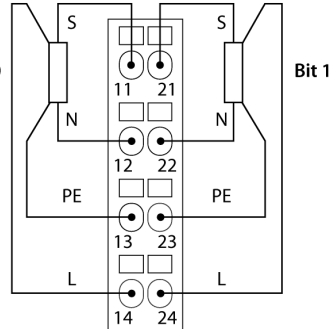
- Fieldbus and connection technology independent
- Protection class IP20
- LEDs indicate status and diagnostic
- Electronics galvanically separated from the field level via optocouplers
- 2 digital outputs, 120/230 VAC
- Max. 0.5 A

#### Functional principle

BL20 electronic modules are plugged into the purely passive base modules which are used for connection of field devices. Maintenance is significantly facilitated due to separation of the connection level from the module electronics. Furthermore flexibility is enhanced because the base modules provide a choice of tension spring or screw connection technology. The electronic modules are completely independent of the type of higher level field bus through the use of gateways.

Type	BL20-2DO-120/230VAC-0.5A
ID	6827137
Number of channels	2
Rated voltage from the supply terminal	120 / 230 VAC
Nominal current from field supply	≤ 20 mA
Nominal current from module bus	≤ 35 mA
Power dissipation, typical	≤ 1 W
Output connectivity	Screw, tension spring
<b>Outputs</b>	
Output voltage	120/230 VAC
Output current per channel	0.5 A
Output delay	0.1 ms
Load type	resistive, inductive, lamp load
Load resistance, resistive	> 48 Ω
Load resistance, inductive	< 1.2 H
Short-circuit protection	yes
Simultaneity factor	1
Electrical isolation	electronics for the field level
Number of diagnostic bits	2
Dimensions (W x L x H)	12.6 x 74.1 x 55.4 mm
Approvals	CE, cULus
Ambient temperature	0...+55 °C
Storage temperature	-25...+85 °C
Relative humidity	15...95 %, no condensation allowed
Vibration test	Acc. to EN 61131
Shock test	Acc. to IEC 60068-2-27
Drop and topple	acc. to IEC 68-2-31 and free fall to IEC 68-2-32
Electromagnetic compatibility	Acc. to EN 50082-2
Protection class	IP20
MTTF	1337 years acc. to SN 29500 (Ed. 99) 20 °C

## Compatible base modules

Dimension drawing	Type	Pin configuration
	<p><b>BL20-S3T-SBC</b> 6827058 Tension spring connection, access to C rail</p> <p><b>BL20-S3S-SBC</b> 6827059 Screw connection, access to C rail</p>	<p>Wiring Diagram</p> 
	<p><b>BL20-S4T-SBCS</b> 6827063 Tension spring connection, access to C rail</p> <p><b>BL20-S4S-SBCS</b> 6827060 Screw connection, access to C rail</p>	<p>Wiring Diagram</p> 

**Accessories**

Type code	Ident no.		Dimension drawing
ZBW5-2BETÄTIGUNGSWE	6827106	Tension spring tool	