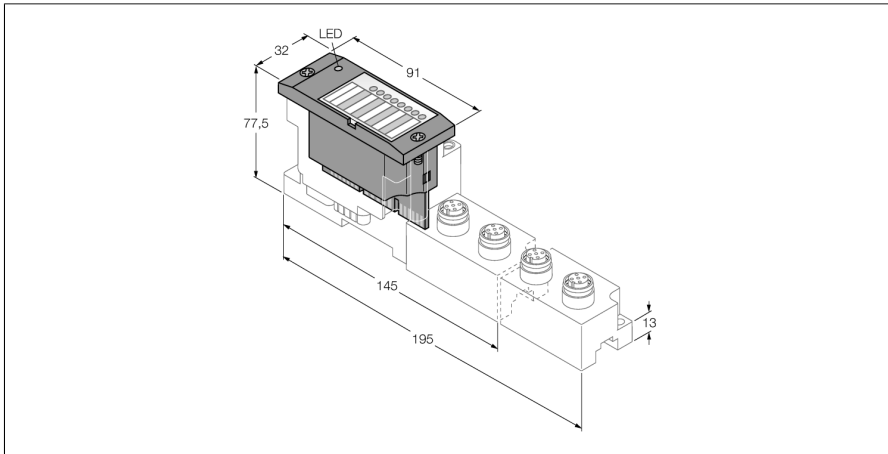


# BL67 electronic module

## 2 Analog Inputs for Thermoelements

### BL67-2AI-TC



- Independent of the fieldbus and connection technology used
- Protection class IP67
- LEDs indicate status and diagnostic
- Electronics galvanically separated from the field level via optocouplers
- 2 analog inputs for the connection of thermoelements
- types B, E, J, K, N, R, S, T
- Cold-junction compensation via Pt1000 probe in a special connector

#### Functional principle

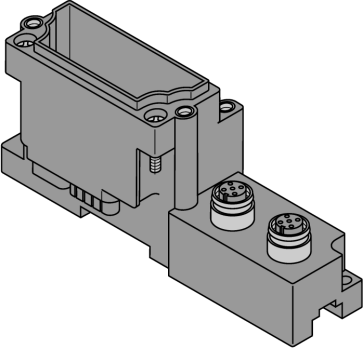
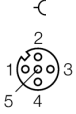
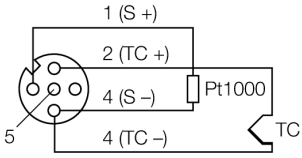
BL67 electronic modules are plugged on the purely passive base modules which in turn are connected to the field devices. The separation of connection level and electronics simplifies maintenance considerably. Flexibility is enhanced because the user can choose between base modules with different connection technologies.

The electronic modules are completely independent of the higher level fieldbus through the use of gateways.

Type	BL67-2AI-TC
ID	6827178
Number of channels	2
Supply voltage	24 VDC
Nominal voltage $V_i$	24 VDC
Nominal current from field supply	$\leq 30$ mA
Nominal current from module bus	$\leq 35$ mA
Power dissipation, typical	$\leq 1$ W
<b>Inputs</b>	
Input type	Types B, E, J, K, N, R, S, T
Output connectivity	M12
Voltage resolution	$\pm 50$ mV: $< 2$ $\mu$ V $\pm 100$ mV: $< 4$ $\mu$ V $\pm 500$ mV: $< 20$ $\mu$ V $\pm 1000$ mV: $< 50$ $\mu$ V
Linearity	$\leq 0.1$ %
Basic fault limit at 23 °C	$< 0.2$ %
Repeatability	0.05 %
Temperature coefficient	$< 300$ ppm/°C of full scale
Resolution	16 Bit
Measured-value display	16 bit signed integer 12 bit full range left justified
Number of diagnostics bytes	2
Number of parameter bytes	2

Dimensions (W x L x H)	32 x 91 x 59 mm
Approvals	CE, cULus
Ambient temperature	-40...+70 °C
Storage temperature	-40...+85 °C
Relative humidity	5...95 % (internal), level RH-2, no condensation (when stored at 45 °C)
Vibration test	Acc. to EN 61131
- up to 5 g (at 10 to 150 Hz)	for mounting on DIN rail no drilling according to EN 60715, with end bracket
- up to 20 g (at 10 up to 150 Hz)	for mounting on base plate or machinery Therefore every second module has to be mounted with two screws each.
Shock test	Acc. to IEC 60068-2-27
Drop and topple	acc. to IEC 68-2-31 and free fall to IEC 68-2-32
Electromagnetic compatibility	Acc. to EN 61131-2
Protection class	IP67
Tightening torque fixing screw	0.9...1.2 Nm

## Compatible base modules

Dimension drawing	Type	Pin configuration
	<p><b>BL67-B-2M12</b> 6827186 2 x M12, 5-pole, female, a-coded</p> <p><b>Comments</b> Suitable connector with a Pt1000 for the cold-junction compensation: BL67-WAS5-THERMO Ident-No. 6827197</p>	<p><b>Pin Assignment</b></p>  <ul style="list-style-type: none"> <li>1 = S +</li> <li>2 = TC +</li> <li>3 = GND</li> <li>4 = TC - / S -</li> <li>5 = PE</li> </ul> <p><b>Wiring Diagram</b></p> 

**LED display**

LED	Color	Status	Meaning
D		OFF	No error message or diagnostics active.
	RED	ON	Failure of module bus communication. Check if more than 2 adjacent electronic modules are pulled. Relevant modules are located between gateway and this module.
	RED	FLASHING (0.5 Hz)	Upcoming module diagnostics
AI channels 0 / 1			Without function

**Data mapping**

DATA	BYTE	Bit 7	Bit 6	Bit 5	Bit 4	Bit 3	Bit 2	Bit 1	Bit 0
Input	n	AI 0 LSB							
	n+1	AI 0 MSB							
	n+2	AI 1 LSB							
	n+3	AI 1 MSB							

n = Offset of input data; depending on extension of station and the corresponding fieldbus.

m = Offset of output data; depending on extension of station and the corresponding fieldbus.

With PROFIBUS, PROFINET and CANopen, the I/O data of this module is localized

within the process data of the whole station via the hardware configuration tool of the fieldbus master.

With DeviceNet™, EtherNet/IP™ and Modbus TCP a detailed mapping table can be created with the TURCK configuration tool I/O-ASSISTANT.