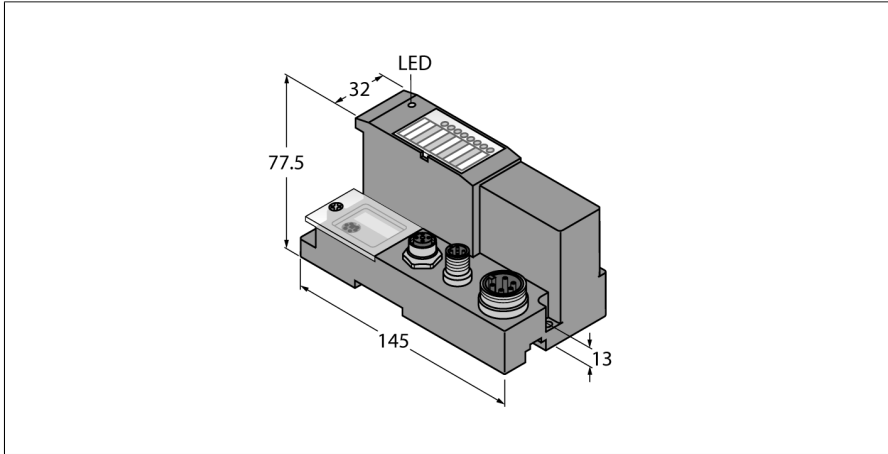


# Gateway for BL67 I/O system

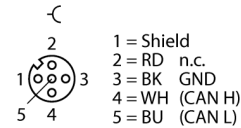
## Interface for CANopen

### BL67-GW-CO

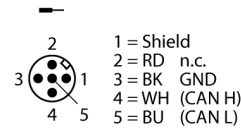


- 3 decimal rotary coding switches
- Protection class IP67
- LEDs for display of supply voltage, group and bus errors
- Interface between the BL67 system and CANopen
- 1 Mbps
- Two 5-pin M12 connectors for fieldbus connection
- One male 7/8", 5-pin, for power supply

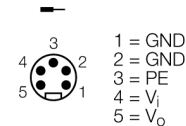
#### CANopen OUT



#### CANopen IN



#### Power Supply



Type	BL67-GW-CO
ID	6827200
Supply voltage	24 VDC
Admissible range	18...30 VDC
Nominal current from module bus	≤ 600 mA
max. system supply current $I_{mb (GV)}$	1.3A
Max. sensor supply $I_{sens}$	4 A electronically limited current supply
max. load current $I_L$	10 A
Voltage supply connection	5-pin male 7/8" connector
Fieldbus transmission rate	10 kbps ... 1 Mbps
Fieldbus addressing	2 decimally coded rotary switches
Fieldbus address range	1...99
Fieldbus connection technology	2 × M12, 5-pin
Fieldbus termination	external
Service interface	RS232 interface (PS/2 socket)

#### Functional principle

BL67 gateways are the head component of a BL67 station. They are designed to connect the modular fieldbus nodes to the higher-level fieldbus (PROFIBUS-DP, DeviceNet, CANopen, Ethernet Modbus TCP, PROFINET, EtherCAT or EtherNet/IP).

All BL67 electronic modules communicate via the internal module bus, the data of which is transferred to the fieldbus via the gateway. All I/O modules can thus be configured independently of the bus system.

Dimensions (W x L x H)	74 x 145 x 77.5 mm
Approvals	CE, cULus
Ambient temperature	-40...+70 °C
Temperature derating	
> 55 °C Circulating air (Ventilation)	no limitation
> 55 °C Steady ambient air	Isens < 3A, I <sub>mb</sub> < 1A
Storage temperature	-40...+85 °C
Relative humidity	5...95 % (internal), level RH-2, no condensation (when stored at 45 °C)
Vibration test	Acc. to EN 61131
Extended vibration resistance	VN 02-00 and higher
- up to 5 g (at 10 to 150 Hz)	for mounting on DIN rail no drilling according to EN 60715, with end bracket
- up to 20 g (at 10 up to 150 Hz)	for mounting on base plate or machinery Therefore every second module has to be mounted with two screws each.
Shock test	Acc. to IEC 60068-2-27
Drop and topple	acc. to IEC 68-2-31 and free fall to IEC 68-2-32
Electromagnetic compatibility	Acc. to EN 61131-2
Protection class	IP67
DIN rail mounting	yes, Attention: Offset
Direct mounting	Two mounting holes, Ø 6 mm
Included in delivery	1 x end plate BL67