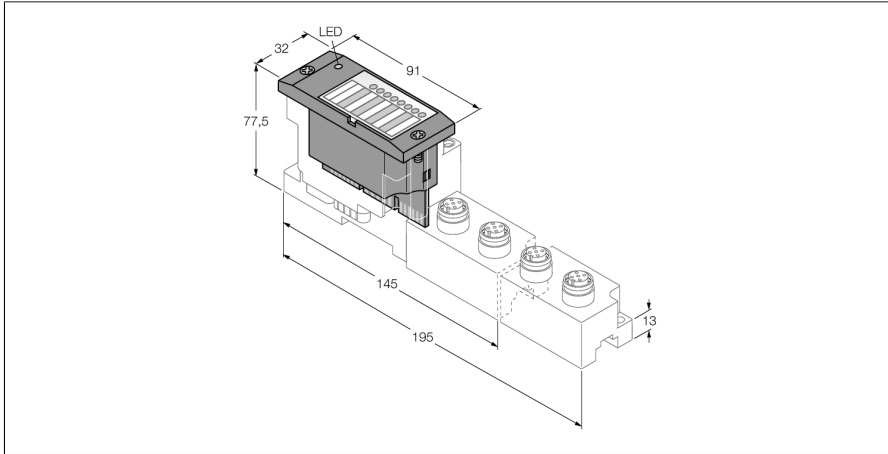


# BL67 electronic module

## 4 Digital Inputs, NPN

### BL67-4DI-N



- Independent of the fieldbus and connection technology used
- Protection class IP67
- LEDs indicate status and diagnostic
- Electronics galvanically separated from the field level via optocouplers
- 4 digital inputs, 24 VDC
- NPN switching

#### Functional principle

BL67 electronic modules are plugged on the purely passive base modules which in turn are connected to the field devices. The separation of connection level and electronics simplifies maintenance considerably. Flexibility is enhanced because the user can choose between base modules with different connection technologies.

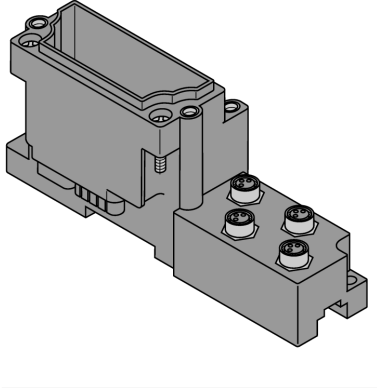
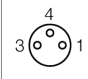
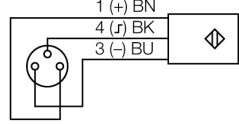
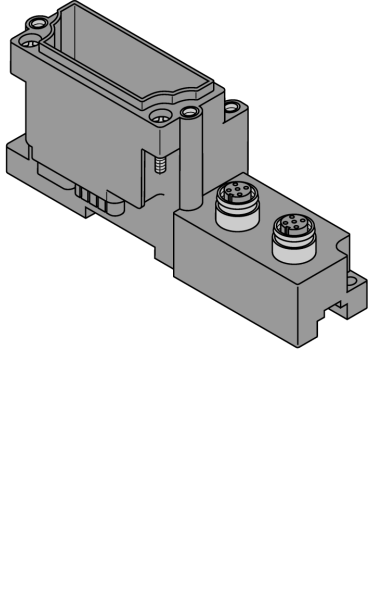
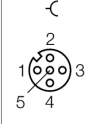
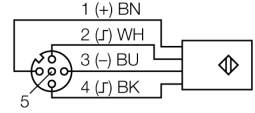
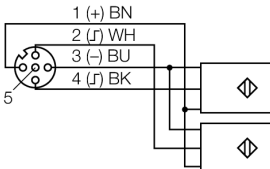
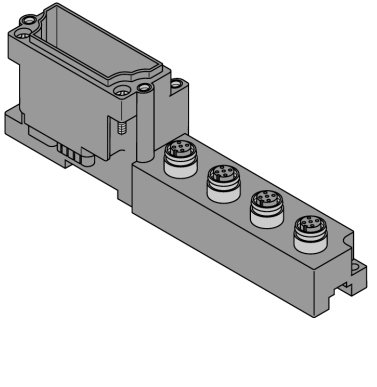
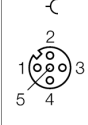

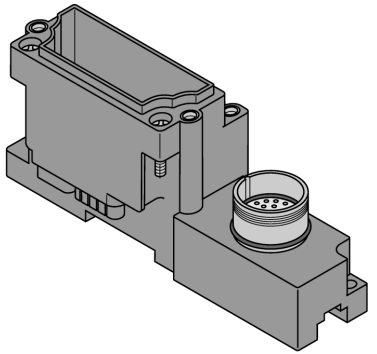

The electronic modules are completely independent of the higher level fieldbus through the use of gateways.

Type	BL67-4DI-N
ID	6827206
Number of channels	4
Supply voltage	24 VDC
Nominal voltage $V_i$	24 VDC
Nominal current from field supply	$\leq 1$ mA
Nominal current from module bus	$\leq 30$ mA
Max. sensor supply $I_{sens}$	4 A electronically limited current supply via gateway or power feed
Power dissipation, typical	$\leq 1.3$ W

Input type	NPN
Type of input diagnostics	group diagnostics
Low-level signal voltage	$> 7$ V
High level signal voltage	$< 5$ V
Low level signal current	$< 2.5$ mA
High level signal current	$> 3$ mA
Input delay	0.25 ms
Electrical isolation	electronics for the field level
Output connectivity	M8, M12, M23

Dimensions (W x L x H)	32 x 91 x 59 mm
Approvals	CE
Ambient temperature	-25...+70 °C
Storage temperature	-40...+85 °C
Relative humidity	5...95 % (internal), level RH-2, no condensation (when stored at 45 °C)
Vibration test	Acc. to EN 61131
- up to 5 g (at 10 to 150 Hz)	for mounting on DIN rail no drilling according to EN 60715, with end bracket
- up to 20 g (at 10 up to 150 Hz)	for mounting on base plate or machinery Therefore every second module has to be mounted with two screws each.
Shock test	Acc. to IEC 60068-2-27
Drop and topple	acc. to IEC 68-2-31 and free fall to IEC 68-2-32
Electromagnetic compatibility	Acc. to EN 61131-2
Protection class	IP67
Tightening torque fixing screw	0.9...1.2 Nm

## Compatible base modules

Dimension drawing	Type	Pin configuration
	<p><b>BL67-B-4M8</b> 6827189 4 x M8, 3-pole, female</p> <p><b>Comments</b> Matching connection cable (for example): PKG3M-2-PSW3M/TXL Ident-No. 6625668</p>	<p><b>Pin Assignment</b></p>  <p>1 = V<sub>SENS</sub> 3 = GND 4 = Input A</p> <p><b>Wiring Diagram</b></p> 
	<p><b>BL67-B-2M12</b> 6827186 2 x M12, 5-pole, female, A-coded</p> <p><b>Comments</b> Matching connection cable (for example): RKC4.4T-2-RSC4.4T/TXL Ident-No. 6625608</p> <p><b>BL67-B-2M12-P</b> 6827194 2 x M12, 5-pole, female, A-coded, paired</p> <p><b>Comments</b> Matching connection cable (for example): RKC4.4T-2-RSC4.4T/TXL Ident-No. 6625608</p>	<p><b>Pin Assignment</b></p>  <p>1 = V<sub>SENS</sub> 2 = Input B 3 = GND 4 = Input A 5 = PE</p> <p><b>Wiring Diagram</b></p>  <p><b>Wiring diagram</b></p> 
	<p><b>BL67-B-4M12</b> 6827187 4 x M12, 5-pole, female, A-coded</p> <p><b>Comments</b> Matching connection cable (for example): RKC4.4T-2-RSC4.4T/TXL Ident-No. 6625608</p>	<p><b>Pin Assignment</b></p>  <p>1 = V<sub>SENS</sub> 2 = n.c. 3 = GND 4 = Input A 5 = PE</p> <p><b>Wiring Diagram</b></p> 
	<p><b>BL67-B-1M23</b> 6827213 1 x M23, 12-pole, female</p> <p><b>Comments</b> field-wireable connector (for example): FW-M23ST12Q-G-LT-ME-XX-10 Ident-No. 6604070</p>	<p><b>Pin Assignment</b></p>  <p>1 = Signal 0      7 = n.c. 2 = Signal 1      8 = n.c. 3 = Signal 2      9 = V<sub>SENS</sub> 4 = Signal 3      10 = V<sub>SENS</sub> 5 = n.c.            11 = V<sub>SENS</sub> 6 = n.c.            12 = GND</p>

**LED display**

LED	Color	Status	Meaning
D		OFF	No error message or diagnostics active.
	RED	ON	Failure of module bus communication. Check if more than 2 adjacent electronic modules are pulled. Relevant modules are located between gateway and this module.
	RED	FLASHING (0.5 Hz)	Upcoming module diagnostics
DI channels 0...3		OFF	Input status x = 0 (OFF)
	GREEN	ON	Input status x = 1 (ON)

**Note:**

The numbering of the LEDs corresponds to the numbering of the channels.

## Data mapping

DATA	BYTE	Bit 7	Bit 6	Bit 5	Bit 4	Bit 3	Bit 2	Bit 1	Bit 0
Input	n	-	-	-	-	DI 3	DI 2	DI 1	DI 0

n = Offset of input data; depending on extension of station and the corresponding fieldbus.

m = Offset of output data; depending on extension of station and the corresponding fieldbus.

With PROFIBUS, PROFINET and CANopen, the I/O data of this module is localized within the process data of the whole station via the hardware configuration tool of the fieldbus master.

With DeviceNet™, EtherNet/IP™ and Modbus TCP a detailed mapping table can be created with the TURCK configuration tool I/O-ASSISTANT.

## Pin assignment at corresponding base module:

DATA	BYTE	Bit 7	Bit 6	Bit 5	Bit 4	Bit 3	Bit 2	Bit 1	Bit 0
------	------	-------	-------	-------	-------	-------	-------	-------	-------

<b>BL67-B-4M8</b>									
Input	n	-	-	-	-	C3 P4	C2 P4	C1 P4	C0 P4
<b>BL67-B-2M12</b>									
Input	n	-	-	-	-	C1 P2	C0 P2	C1 P4	C0 P4
<b>BL67-B-2M12-P</b>									
Input	n	-	-	-	-	C1 P2	C1 P4	C0 P2	C0 P4
<b>BL67-B-4M12</b>									
Input	n	-	-	-	-	C3 P4	C2 P4	C1 P4	C0 P4
<b>BL67-B-1M23(-VI)</b>									
Input	n	-	-	-	-	C0 P4	C0 P3	C0 P2	C0 P1

C... = slot no., P... = pin no.