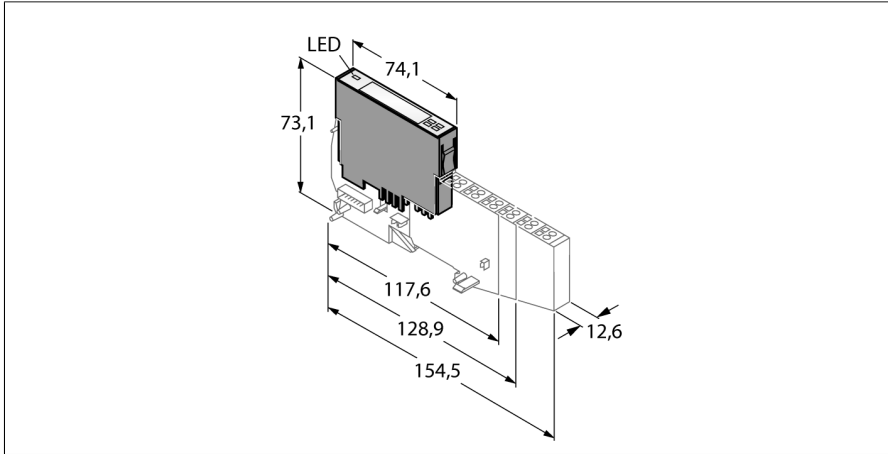


BL20 electronic module

4 Digital Inputs, NAMUR

BL20-4DI-NAMUR



- Fieldbus and connection technology independent
- Protection class IP20
- LEDs indicate status and diagnostic
- Electronics galvanically separated from the field level via optocouplers
- NAMUR inputs acc. to DIN EN 60947-5-6

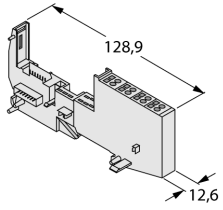
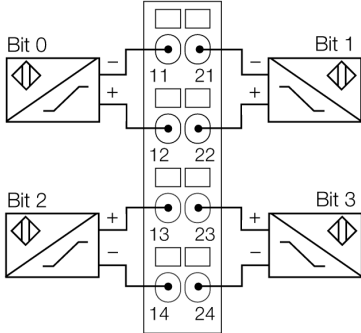
Functional principle

BL20 electronic modules are plugged into the purely passive base modules which are used for connection of field devices. Maintenance is significantly facilitated due to separation of the connection level from the module electronics. Furthermore flexibility is enhanced because the base modules provide a choice of tension spring or screw connection technology.

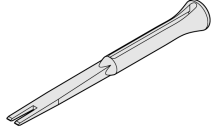
The electronic modules are completely independent of the type of higher level field bus through the use of gateways.

| | |
|--|--|
| Type | BL20-4DI-NAMUR |
| ID | 6827212 |
| Number of channels | 4 |
| Rated voltage from the supply terminal | 24 VDC |
| Nominal current from field supply | ≤ 30 mA |
| Nominal current from module bus | ≤ 40 mA |
| Power dissipation, typical | ≤ 1 W |
| Inputs | |
| Input type | NAMUR acc. to DIN EN 60947-5-6 |
| No-load voltage | 8.2...8.6 VDC |
| Input - status | Switching on threshold: 1.74 mA Switch off threshold: 1.45 mA |
| Input wire-break | Switching on threshold: 0.08 mA Switch off threshold: 0.12 mA |
| Input - short-circuit | Switching on threshold: 6.2 mA Switch off threshold: 5.9 mA |
| Input delay | 0.25 or 2.5 ms |
| Electrical isolation | electronics for the field level |
| Output connectivity | Screw, tension spring |
| Dimensions (W x L x H) | 12.6 x 74.1 x 55.4 mm |
| Approvals | CE, cULus, zone 2, Class I, Div. 2 |
| Ambient temperature | 0...+55 °C |
| Storage temperature | -25...+85 °C |
| Relative humidity | 15...95 %, no condensation allowed |
| Vibration test | Acc. to EN 61131 |
| Shock test | Acc. to IEC 60068-2-27 |
| Drop and topple | acc. to IEC 68-2-31 and free fall to IEC 68-2-32 |
| Electromagnetic compatibility | Acc. to EN 50082-2 |
| Protection class | IP20 |
| MTTF | 560 years acc. to SN 29500 (Ed. 99) 20 °C |

Compatible base modules

| Dimension drawing | Type | Pin configuration |
|---|--|---|
|  | <p>BL20-S4T-SBBS 6827046 Tension spring connection</p> <p>BL20-S4S-SBBS 6827047 Screw connection</p> | <p>Wiring Diagram</p>  |

Accessories

| Type code | Ident no. | | Dimension drawing |
|---------------------|-----------|---------------------|---|
| ZBW5-2BETÄTIGUNGSWE | 6827106 | Tension spring tool |  |