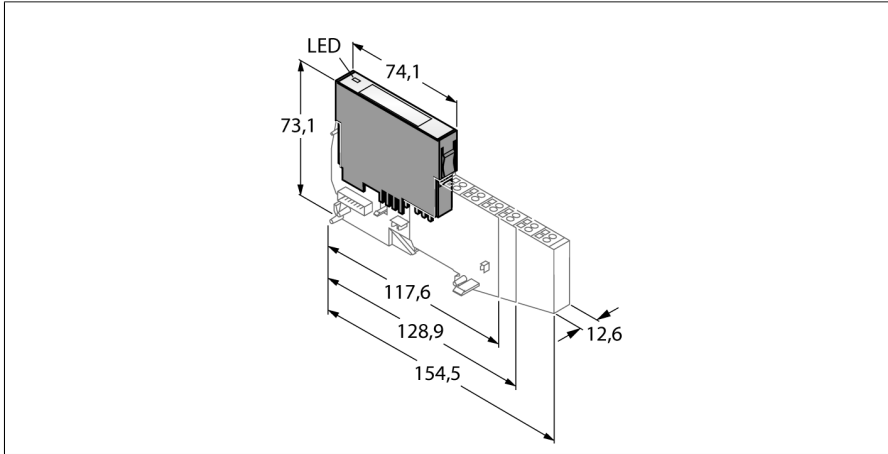


BL20 electronic module

2 Analog Outputs, HART

BL20-2AOH-I



- Fieldbus and connection technology independent
- Protection class IP20
- LEDs indicate status and diagnostic
- Electronics galvanically separated from the field level via optocouplers
- 2 analog outputs 0/4...20 mA
- HART

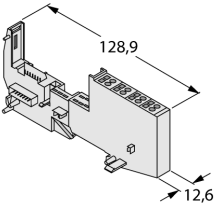
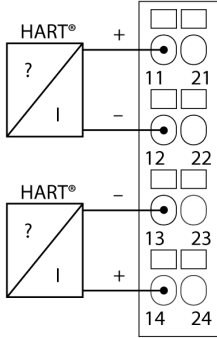
Functional principle

BL20 electronic modules are plugged into the purely passive base modules which are used for connection of field devices. Maintenance is significantly facilitated due to separation of the connection level from the module electronics. Furthermore flexibility is enhanced because the base modules provide a choice of tension spring or screw connection technology. The electronic modules are completely independent of the type of higher level field bus through the use of gateways.

Type	BL20-2AOH-I
ID	6827332
Number of channels	2
Rated voltage from the supply terminal	24 VDC
Nominal current from field supply	≤ 20 mA
Nominal current from module bus	≤ 30 mA
Power dissipation, typical	≤ 1 W
Output connectivity	Screw, tension spring
Outputs	
Output type	0/4...20 mA
Load resistance, resistive	< 0.60 kΩ
Load resistance, inductive	< 1 mH
Electrical isolation	electronics for the field level
Linearity	≤ 0.1 %
Basic fault limit at 23 °C	< 0.2 %
Repeatability	0.1 %
Temperature coefficient	< 150 ppm/°C of full scale
Resolution	16 Bit
Measured-value display	16 Bit signed integer, NE43(PA), extended
Cycle time	≤ 250 ms
Number of diagnostics bytes	4
Number of parameter bytes	12

Dimensions (W x L x H)	12.6 x 74.1 x 55.4 mm
Approvals	CE, cULus, zone 2, Class I, Div. 2
Ambient temperature	0...+55 °C
Storage temperature	-25...+85 °C
Relative humidity	15...95 %, no condensation allowed
Vibration test	Acc. to EN 61131
Shock test	Acc. to IEC 60068-2-27
Drop and topple	acc. to IEC 68-2-31 and free fall to IEC 68-2-32
Electromagnetic compatibility	Acc. to EN 50082-2
Protection class	IP20
MTTF	286 years acc. to SN 29500 (Ed. 99) 20 °C

Compatible base modules

Dimension drawing	Type	Pin configuration
	<p>BL20-S4T-SBBS 6827046 Tension spring connection</p> <p>BL20-S4S-SBBS 6827047 Screw connection</p>	<p>Wiring Diagram</p> 

Accessories

Type code	Ident no.		Dimension drawing
ZBW5-2BETÄTIGUNGSWE	6827106	Tension spring tool	