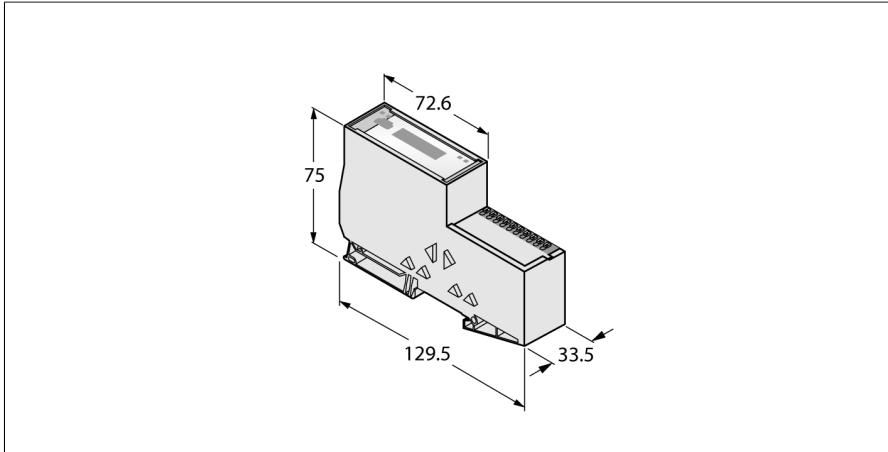


Gateway for the BL20 I/O System Interface for Modbus RTU / ASCII With Extended Temperature Range BL20-E-GW-RS-MB/ET



- DIP switch for adjustment of the node address
- Protection class IP20
- 2 x end brackets BL20-WEW35/2-SW
- 1 x end plate BL20-ABPL
- LEDs for display of supply voltage, group and bus errors
- Gateway between the BL20 system and Modbus RTU / ASCII
- RS485 or RS232, configurable
- 9.6 kbps ... 115.2 kbps
- Push-in terminals
- Extended temperature range: -25 °C...+60 °C
- Circuit boards with conformal coating

Type	BL20-E-GW-RS-MB/ET
ID	6827381
Supply voltage	24 VDC
System power supply	24 VDC / 5 VDC
Field supply	24 VDC
Admissible range	18...30 VDC
Nominal current from module bus	≤ 200 mA
Max. field supply current	8 A
Max. system supply current	0.7 A
Voltage supply connection	Push-in terminals
Fieldbus transmission rate	9.6 kbps ... 115.2 kbps
Fieldbus addressing	via DIP switch, I/O-ASSISTANT
Fieldbus address range	1...31 (via DIP switch) 1...247 (via I/O-ASSISTANT)
Fieldbus connection technology	Push-in clamps
Fieldbus termination	via DIP switch
Max. number of I/O modules	32
Service interface	Mini USB
Number of input bytes	192
Number of output bytes	192


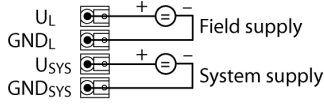

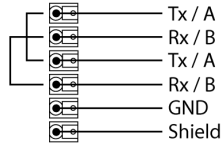
Functional principle

BL20 gateways are the head component of a BL20 station. They are designed to interface the modular fieldbus nodes to the higher level fieldbus (PROFIBUS-DP, DeviceNet, CANopen, Ethernet).


All BL20 electronic modules communicate over the internal module bus, the data of which is transferred to the fieldbus via the gateway, so that all I/O modules can be configured independently of the bus system.

Dimensions (W x L x H)	33.5 x 129.5 x 74.4 mm
Approvals	CE
Ambient temperature	-25...+60 °C
Storage temperature	-25...+70 °C
Relative humidity	15...95 % (internal), level RH-2, no condensation (when stored at 45 °C)
Vibration test	Acc. to EN 61131
Shock test	Acc. to IEC 60068-2-27
Drop and topple	Acc. to IEC 60068-2-31
Electromagnetic compatibility	Acc. to EN 61131-2
Protection class	IP20
MTTF	516 years acc. to SN 29500 (Ed. 99) 20 °C
Included in delivery	2 x end brackets BL20-WEW-35/2-SW, 1 x end plate BL20-ABPL

Anschlussübersicht

	<p>Power Supply</p> <p>The U_{SYS} system supply feeds power to the gateway and the I/O modules.</p> <p>The U_{L} field supply feeds power to the sensors and actuators.</p>	<p>Pin Assignment</p> 
	<p>Modbus RTU/ASCII</p> <p>Fieldbus cable for RS485 (for example): RSC5701-5M (ident no. 6931036)</p>	<p>Pin Assignment</p> 

Accessories

Type code	Ident no.		Dimension drawing
BL20-ABPL (2 PCS.)	6827123	End plate for a BL20 station after the last I/O module (2 pieces)	
BL20-WEW-35/2-SW (10 PCS.)	6827124	End bracket for fixation of a BL20 station (10 pieces)	