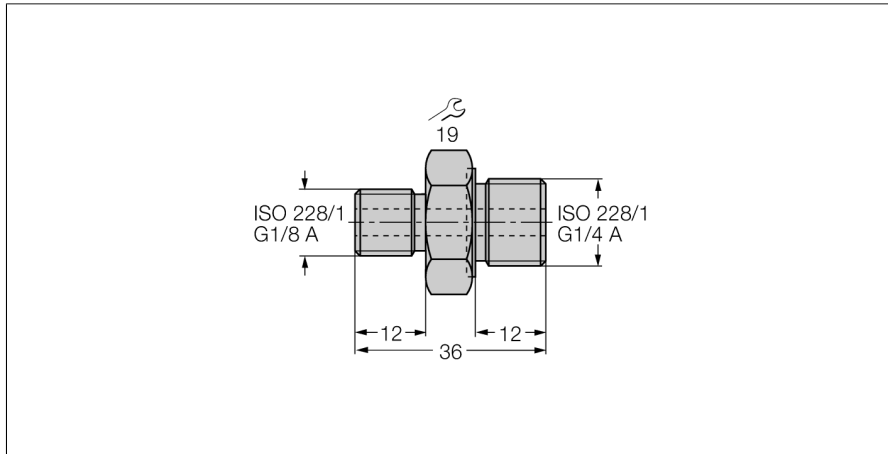


Accessories

Threaded Adapter

PCV-G1/8A4



- Thread adapter G1/4" on G1/8"
- FPM seal according to DIN 3852, material quality V80GB

Type	PCV-G1/8A4
ID	6835014
Housing material	Stainless steel, 1.4571 (AISI 316Ti)