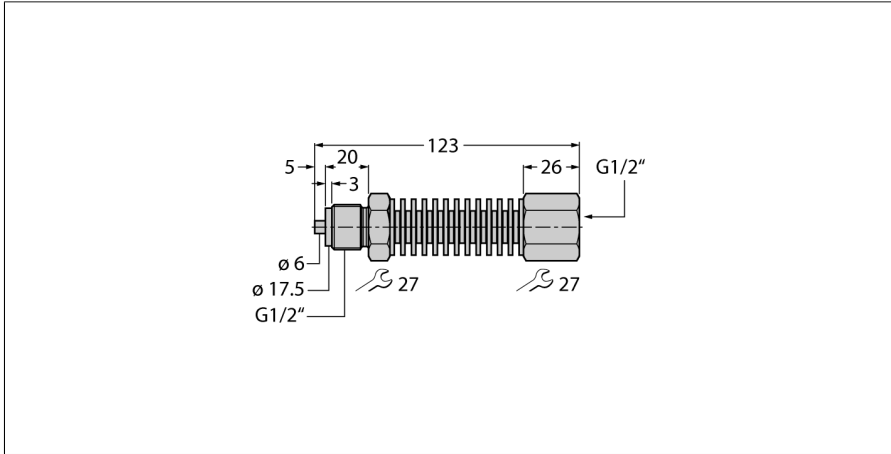


# Accessories

## Cooling Section

### PCS-G1/2A4



- Cooling section G1/2"
- Liquids and gases
- Medium channel 4 mm
- Simple mounting

#### Functional principle

Heat sinks enable the use of pressure sensors at elevated medium temperatures. The hot medium is cooled down in the cooling section. Depending on the ambient temperature, the use of media having a temperature of more than 200 °C is possible without the transmitter taking damage. Different standardized pressure connections allow the combination with the pressure measurement systems from Turck.

Type	PCS-G1/2A4
ID	6835040
Housing material	Stainless steel, 1.4571 (AISI 316Ti)

