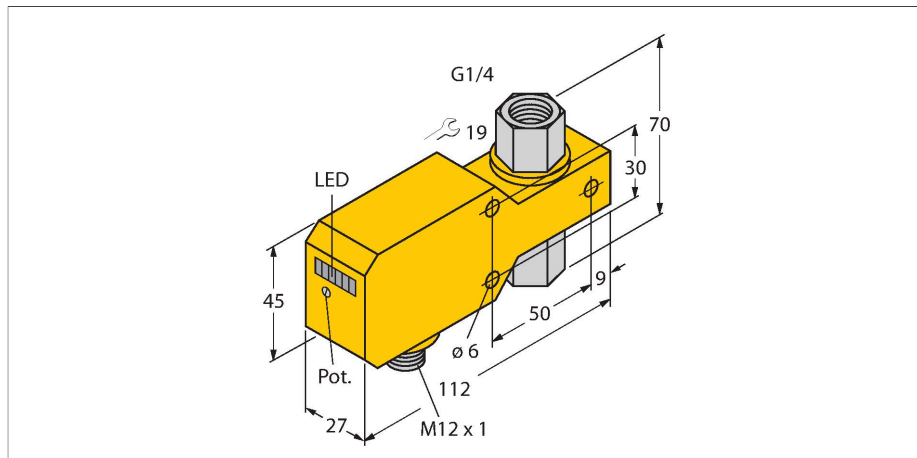


FCI-D06CTP-ARX-H1140

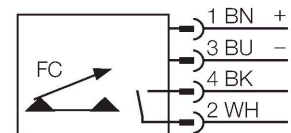
Flow Monitoring – Inline Sensor with Integrated Processor



Features

- Flow sensor for liquid media
- Calorimetric principle
- Adjustment via potentiometer
- LED band
- Operating range 0.02...3 l/min
- Sensor material ceramics/plastic
- Seal made of FKM
- DC 4-wire, 21.6...26.4 VDC
- NO contact, relay output
- Plug-in device, M12 x 1

Wiring diagram



Functional principle

The function of the inline flow sensors is based on the thermo-dynamic principle. Heat is generated in a measuring tube and absorbed by the flowing medium. The transported heat loss is thus a measure of the flow speed. Thus TURCK's wear-free flow sensors reliably monitor the flow of gaseous and liquid media. A low pressure drop and fast response to flow rate variations are the outstanding features of these devices.

Technical data

ID	6870625
Type	FCI-D06CTP-ARX-H1140
Mounting conditions	Inline sensor
Flow operating range	0.02...3 l/min
Stand-by time	5...15 s
Switch-on time	0.5...3 s
Switch-off time	0.5...3 s
Temperature gradient	≤ 400 K/min
Medium temperature	0...+60 °C
Ambient temperature	0...+60 °C
Electrical data	
Operating voltage	21.6...26.4 VDC
Current consumption	≤ 50 mA
Output function	Relay output, NO contact
Rated operational current	1 A
Short-circuit protection	no
Reverse polarity protection	yes
AC switching voltage	30 VAC
DC switching voltage	36 VDC
Protection class	IP67
Mechanical data	
Design	Inline
Housing material	Plastic, PBT
Sensor material	Ceramics/Plastic, Al ₂ O ₃ /PTFE
Max. tightening torque of housing nut	5 Nm
Electrical connection	Connector, M12 × 1
Pressure resistance	5 bar

Technical data

Process connection	G 1/4" female thread
Switching state	LED chain, Green/yellow/red
Flow state display	LED chain
Indication: Drop below setpoint	LED Red
Indication: Setpoint reached	LED Yellow
Indication: Setpoint exceeded	4 × LEDs Green
Tests/approvals	