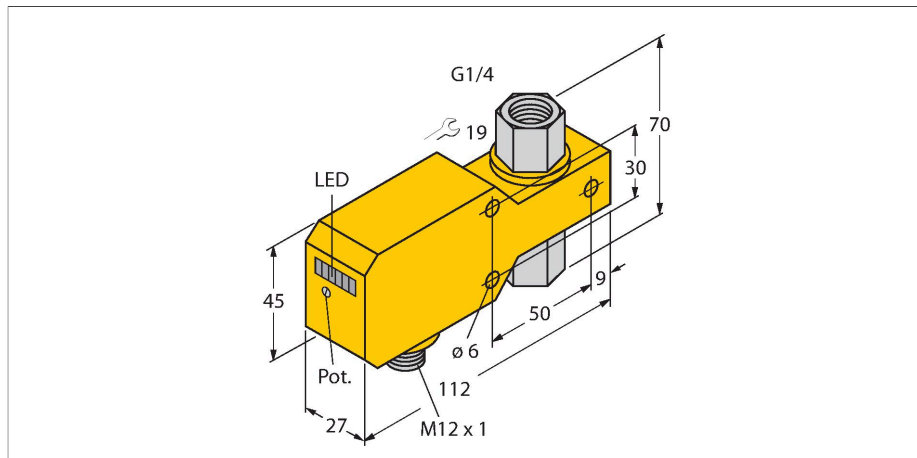


# FCI-D06CTP-AP8X-H1141

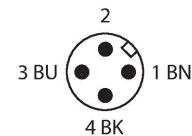
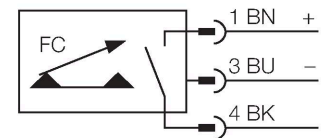
## Flow Monitoring – Inline Sensor with Integrated Processor



### Features

- Flow sensor for liquid media
- Calorimetric principle
- Adjustment via potentiometer
- LED band
- Operating range 0.02...3 l/min
- Sensor material ceramics/plastic
- Seal made of FKM
- DC 3-wire, 19.2...28.8 VDC
- NO contact, PNP output
- Connector device, M12 × 1

### Wiring diagram



### Technical data

ID	6870661
Type	FCI-D06CTP-AP8X-H1141
Mounting conditions	Inline sensor
Flow operating range	0.02...3 l/min
Stand-by time	5...15 s
Switch-on time	0.5...3 s
Switch-off time	0.5...3 s
Temperature gradient	≤ 400 K/min
Medium temperature	0...+60 °C
Ambient temperature	0...+60 °C
<b>Electrical data</b>	
Operating voltage	19.2...28.8 VDC
Current consumption	≤ 50 mA
Output function	PNP, NO contact
Rated operational current	0.2 A
Voltage drop at I <sub>o</sub>	≤ 1.5 V
Short-circuit protection	yes
Reverse polarity protection	yes
Protection class	IP67
<b>Mechanical data</b>	
Design	Inline
Housing material	Plastic, PBT
Sensor material	Ceramics/Plastic, Al <sub>2</sub> O <sub>3</sub> /PTFE
Max. tightening torque of housing nut	5 Nm
Electrical connection	Connector, M12 × 1
Pressure resistance	5 bar
Process connection	G 1/4" female thread

### Functional principle

The function of the inline flow sensors is based on the thermo-dynamic principle. Heat is generated in a measuring tube and absorbed by the flowing medium. The transported heat loss is thus a measure of the flow speed. Thus TURCK's wear-free flow sensors reliably monitor the flow of gaseous and liquid media. A low pressure drop and fast response to flow rate variations are the outstanding features of these devices.

## Technical data

Switching state	LED chain, Green/yellow/red
Flow state display	LED chain
Indication: Drop below setpoint	LED Red
Indication: Setpoint reached	LED Yellow
Indication: Setpoint exceeded	4 × LEDs Green
<b>Tests/approvals</b>	
Approvals	cULus
UL registration number	E210608