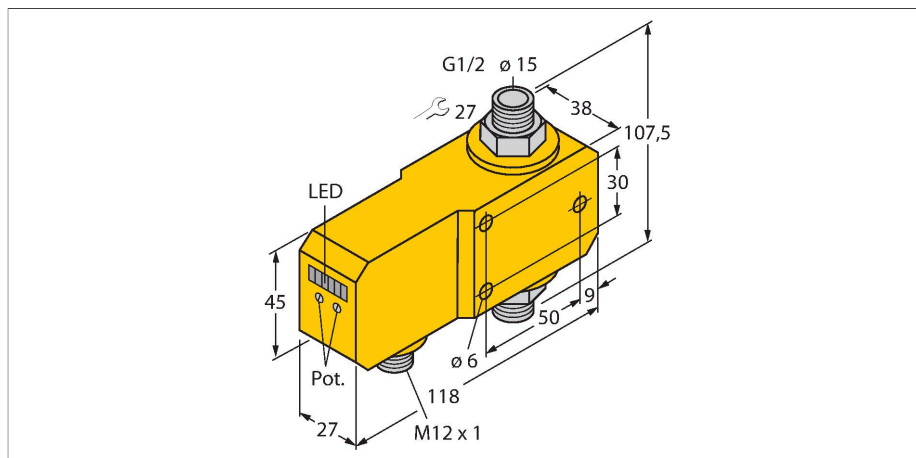


# FCI-D15A4P-LIX-H1141

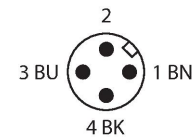
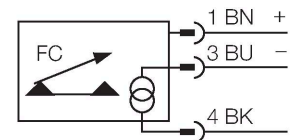
## Flow Monitoring – Inline Sensor with Integrated Processor



### Features

- Flow sensor for liquid media
- Calorimetric principle
- Adjustment via potentiometer
- LED band
- Operating range 3...20 l/min
- DC 3-wire, 21.6...26.4 VDC
- 4...20 mA analog output
- Connector device, M12 × 1

### Wiring diagram

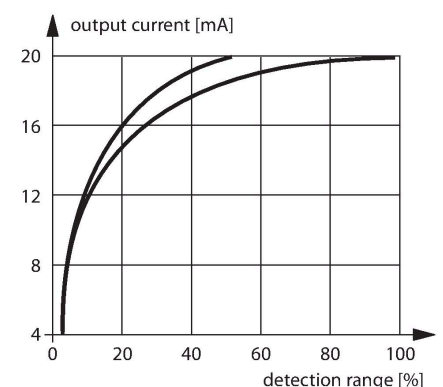


### Technical data

ID	6870670
Type	FCI-D15A4P-LIX-H1141
Mounting conditions	Inline sensor
Flow operating range	3...20 l/min
Stand-by time	5...15 s
Setting time	0.5...1 s
Temperature gradient	≤ 400 K/min
Medium temperature	0...+80 °C
Ambient temperature	0...+60 °C
<b>Electrical data</b>	
Operating voltage	21.6...26.4 VDC
Current consumption	≤ 50 mA
Output function	Analog output
Short-circuit protection	yes
Reverse polarity protection	yes
Current output	4...20 mA
Load	200...500 Ω
Protection class	IP67
<b>Mechanical data</b>	
Design	Inline
Housing material	Plastic, PBT
Sensor material	Stainless steel, 1.4571 (AISI 316Ti)
Max. tightening torque of housing nut	30 Nm
Electrical connection	Connector, M12 × 1
Pressure resistance	20 bar
Process connection	G 1/2"
Flow state display	LED chain, red (1x), green (5x)

### Functional principle

The function of the inline flow sensors is based on the thermo-dynamic principle. Heat is generated in a measuring tube and absorbed by the flowing medium. The transported heat loss is thus a measure of the flow speed. Thus TURCK's wear-free flow sensors reliably monitor the flow of gaseous and liquid media. A low pressure drop and fast response to flow rate variations are the outstanding features of these devices.



## Technical data

LED display	red = 4 mA
	1x green > 4 mA
	2x green > 8 mA
	3x green > 12 mA
	4x green > 16 mA
	5x green = 20 mA

---

### Tests/approvals

Approvals	cULus
UL registration number	E210608

---