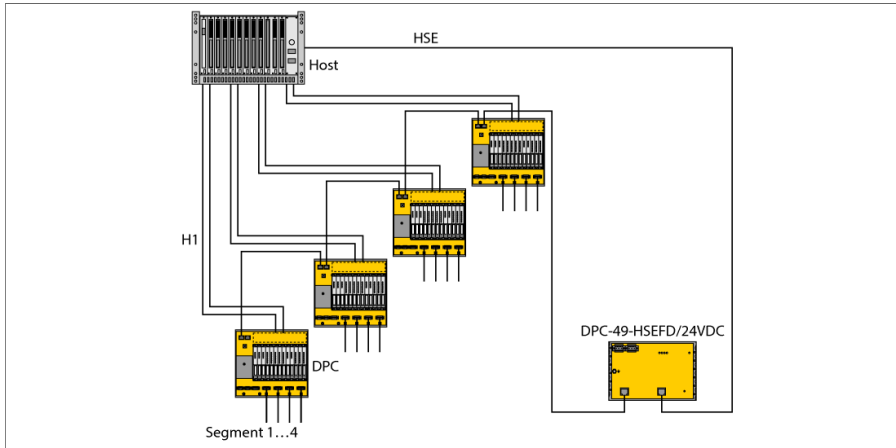


# FOUNDATION fieldbus Diagnostic Module DPC-49-ADU



The DPC system (Diagnostic Power Conditioner) is a power supply system for the installation of FOUNDATION™ fieldbus H1 segments. It provides extensive diagnostic options for monitoring FOUNDATION™ fieldbus segments and thus supports plantwide asset management.

A DPC system consists of one or more module racks, each of which can take up to eight DPC-49-IPS1 power supply modules and one DPC-49-ADU or DPC-49-DU diagnostic module. Up to four H1 segments per module rack can be operated and monitored redundantly in the FOUNDATION™ fieldbus network. The diagnostic data of the H1 segments can be transmitted via the DPC-49-HSEFD/24VDC HSE field device to the higher level Asset Management System (only in conjunction with the diagnostic module DPC-49-ADU).

The diagnostics module DPC-49-ADU is used as a diagnostic interface between H1 segments and the HSE interface module. The diagnostics module monitors the electrical and the communication parameters of the H1 segments. Operation without diagnostics module is possible.

The diagnostic information is collected in the device and transmitted via the HSE interface module to the higher fieldbus level (e.g. the host) as diagnostic and alarm data. Thereby the modules can be plugged and unplugged during operation (Hot swap-able in run).

The device features LEDs indicating the operating status of the H1 segments. A pre-alarm is indicated by a yellow LED, the main alarm by a red LED. Additionally, alarm signals can be analysed via a relay contact.

- Long-term diagnostics for 4 H1 segments
- Local diagnostics via LEDs
- Alarm signal via relay contact
- Complete galvanic isolation

## Dimensions

Type	DPC-49-ADU
ID	6882012
Power consumption	≤ 0.8 W
Supply voltage	via the backplane
Current consumption	< 100 mA
Galvanic isolation	All-round galvanic separation, test voltage 500 VAC
Diagnostics	1 x relay
Switching current	≤ 1000 mA
Switching voltage	≤ 30 VDC
	Galvanically separated against other electronic parts
<b>Displays/Operating elements</b>	
Operational readiness	1 × green/red
Alarm	4 × yellow/red
Protection class	IP20
MTTF	126 years acc. to SN 29500 (Ed. 99) 40 °C
Ambient temperature	-20...+60 °C
Housing material	Plastic
Housing color	Yellow
Dimensions	18 x 118 x 103 mm

