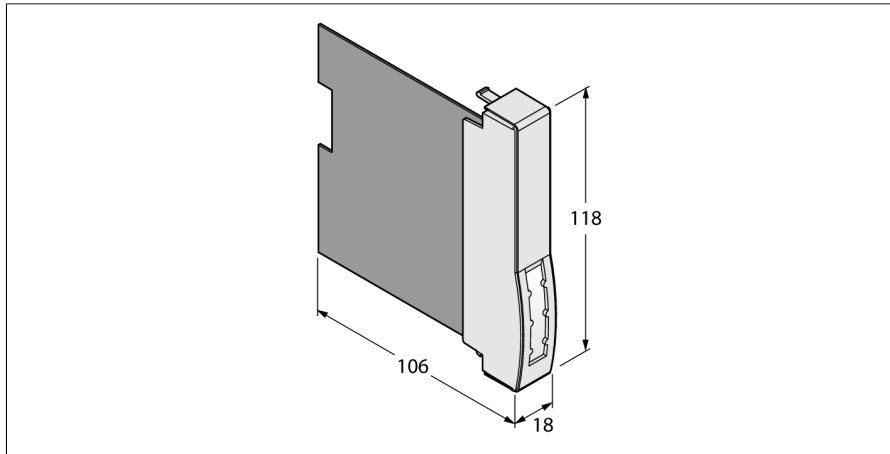


# FOUNDATION fieldbus Dummy Modules for Free Slots BM-DPC



- Dummy module for free slots

Type	BM-DPC
ID	6882015

Displays/Operating elements

Protection class	IP20
Ambient temperature	-20...+70 °C
Relative humidity	≤ 95 % at 55 °C acc. to EN 60069-2
Housing material	Plastic
Housing color	Yellow
Dimensions	18 x 118 x 103 mm