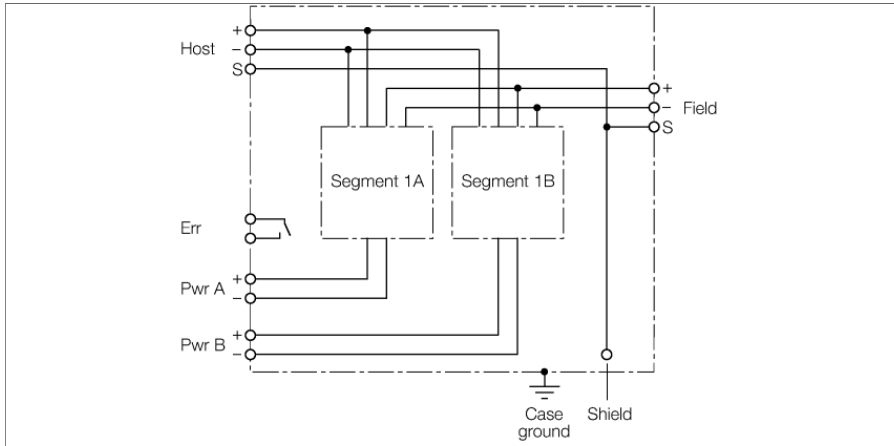


FOUNDATION fieldbus Backplane for the DPC System DPC-49-1RMB



The DPC system (Diagnostic Power Conditioner) is a power supply system for the installation of FOUNDATION™ fieldbus H1 segments.

The module rack consists of a backplane and the actual rack system for the power supply modules.

The single components of the system are electrically linked via the connection terminals of the backplane.

Redundant power supply via a 6-pin screw connector. The connection to the host system is established via a removable 3-pin screw terminal.

The H1 segment is connected separately on the fieldbus side via a removable 3-pole screw terminal.

The shielding is achieved via insulated shield bus or via the 3-pole screw terminal, which is internally connected with the M5 threaded bolt for equipotential bonding. A further M5 threaded bolt for equipotential bonding is simply connected to the housing.

A connection to the relay alarm contact is provided for redundancy monitoring of the external power supply and the H1 power supply modules. In "good-condition" (no error) the relay is energized and in "bad-condition" the relay is de-energized.

The following error states are possible:

- External power supply < 18 VDC
- Power supply module, drop out or lacking
- Power supply module, short-circuit resp. overload



- Module rack for two power supply modules to connect a redundant H1 segment
- Redundant power supply
- Removable terminal blocks with screw connections

Dimensions

Type	DPC-49-1RMB
ID	6882026
Operating voltage	18...32 VDC
Surge protection	> 250 VDC
Displays/Operating elements	
Electrical connection	Removable terminal block, reverse polarity protected, screw connection
Protection class	IP20
MTTF	115 years acc. to SN 29500 (Ed. 99) 40 °C
Ambient temperature	-20...+60 °C
Housing material	Aluminium
Housing color	Black/yellow
Dimensions	220 x 210 x 113 mm
Connection mode	snap-fit on DIN rail (DIN 60715)

