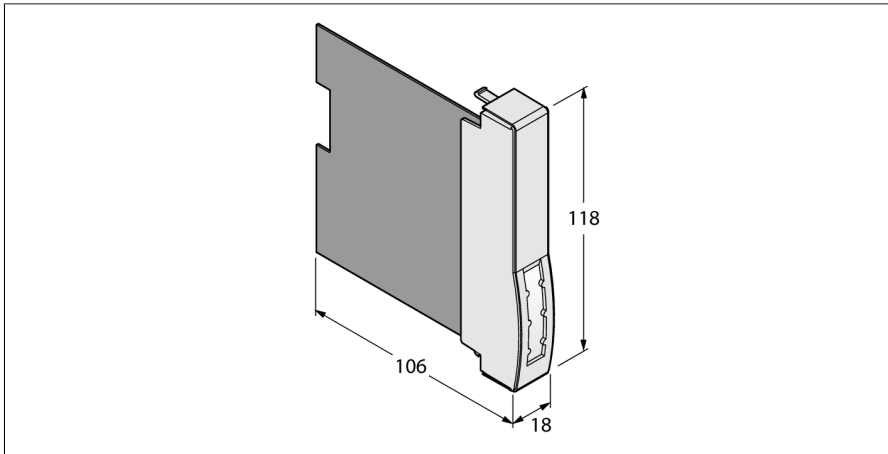


# excom I/O System Dummy Module BM1



- Dummy module for unused slots on the module rack

Type	BM1
ID	6884036
Displays/Operating elements	
Protection class	IP20
Ambient temperature	-20...+70 °C
Dimensions	18 x 118 x 106 mm
Approvals	DNV GL BV LR KR KCC