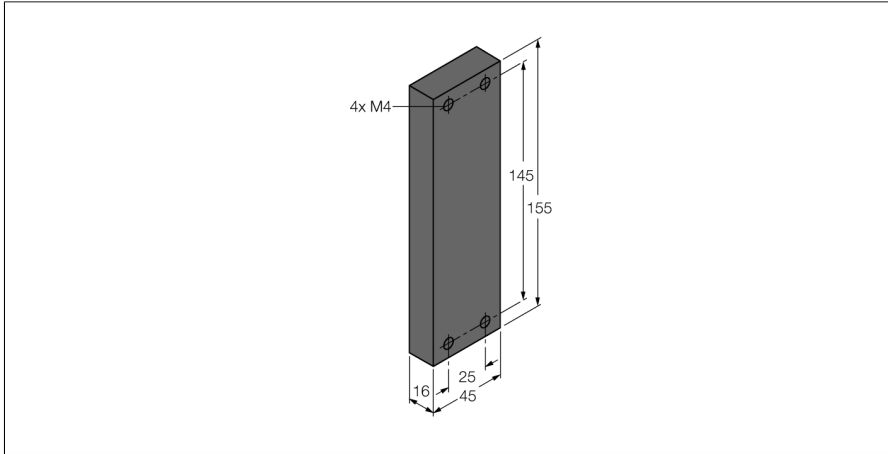


excom I/O System Cover for the Unused Power Port BM-PS



- Closure cap for the redundant power supply port

Type	BM-PS
ID	6884044
Displays/Operating elements	
Connection mode	Flange, 4 x M4 screws
Protection class	IP30
Ambient temperature	-20...+70 °C
Dimensions	45 x 155 x 16 mm
Approvals	DNV GL BV LR KR