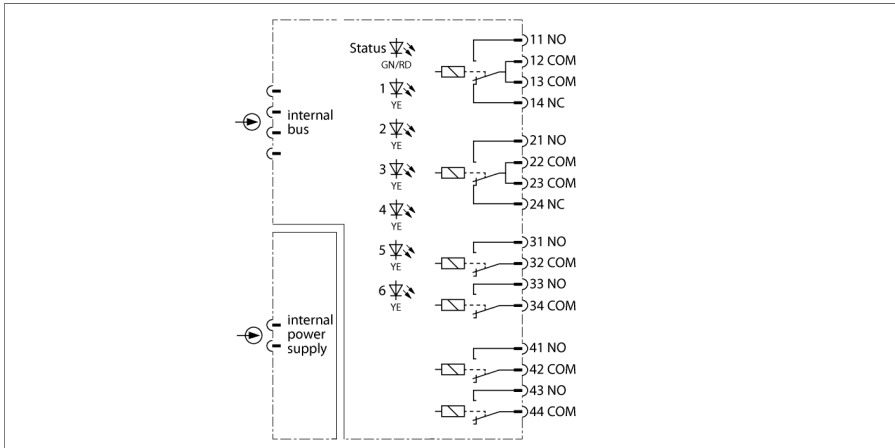


excom I/O System

Relay Module, 6-channel

DO60R-N



The relay module DO60R-N is used for the connection of non-intrinsically safe actuators such as valves or indicator lights.

The outputs are designed as zero-potential relay contacts.

- 2 x changeover contacts (channel 1 and 2)
- 4 x NO contacts (channel 3 to 6)

The channels 3/4 and 5/6 are separately switchable to changeover function. For this, an external bridge at the terminals is needed.

Note:

To protect the module rack, the contact circuits inside the DO60R-N module are shielded by fuses (1.5 AT Ceramic). The module must be replaced after tripping the fuses. The connections 12-13 and 22-23 are not further protected and should maximally be loaded with the switching current of a relay contact. Use preferably terminal 12 resp. 22 for connection.

For non-destructive operation, even in the event of a short circuit, a back-up fuse with a fuse integral <math>< 2.1A^2s</math> must be used (e.g. ES-KA 522.714).

Status and error messages of the single outputs and the module are indicated via LEDs on the front.



- Relay output for higher switching capacity
- NO/NC configurable output
- Configurable as 4 x changeover contact
- Configurable as 6 x NO contact

Dimensions

Type	DO60R-N
ID	6884196
Supply voltage	Via module rack, central power supply module
Power consumption	≤ 2 W
Galvanic isolation	Complete galvanic isolation
Number of channels	6
Output circuits	6 x relays (2 x changeover contacts, 4 x NO)
Switching voltage	12 VUC ... 115 VUC
Switching current	≥ 10 mA
	≤ 1 A (60 VAC / 60 VDC)
	≤ 0.4 A (115 VAC / 115 VDC)
Ex approval acc. to conformity certificate	IECEX TUR 21.0012X
Device designation	⊕ II 3 G Ex ec nC IIC T4 Gc
Displays/Operating elements	
Operational readiness	1 x green/red
State/ Fault	6 x yellow
Housing material	Plastic
Connection mode	module, plugged on rack
Protection class	IP20
Ambient temperature	-20...+60 °C
Relative humidity	≤ 93 % at 40 °C acc. to IEC 60068-2-78
Vibration test	Acc. to IEC 60068-2-6
Shock test	Acc. to IEC 60068-2-27
EMC	Acc. to EN 61326-1 Acc. to Namur NE21
MTTF	224 years acc. to SN 29500 (Ed. 99) 40 °C
Dimensions	18 x 118 x 106 mm
Approvals	ATEX cFMus cFM IECEX CE

