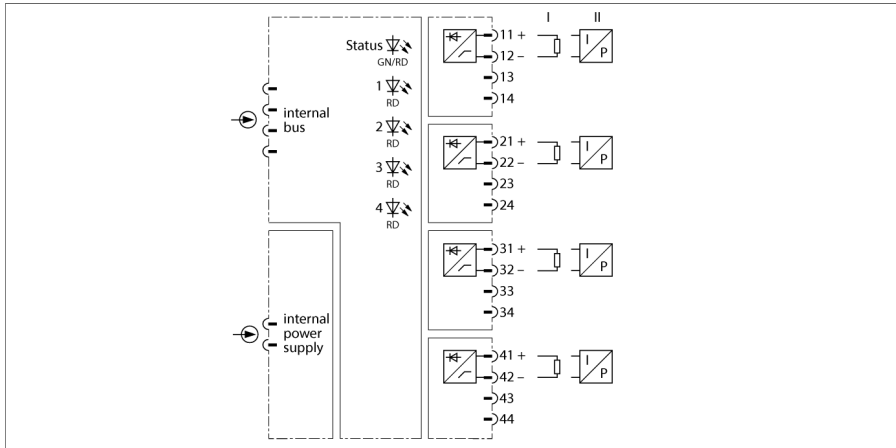


# excom I/O System

## Output Module, Analog, 4-channel

### AO40-N



The output module AO40-N is used for the connection of analog actuators such as control valves or process indicators.

The outputs are galvanically isolated from each other.

HART-compatible transducers can be connected to the module. The field device can thus be parametrized directly at the terminals on the DIN rail with a licensed modem. Additional impedance in the circuit is not necessary.

The host system transmits a digitized control value 0...21000 (independent of the parametrized measuring range). This raw value is then transformed by the AO40-N into a value between 0...21 mA.



- Output module for the connection of analog actuators
- Complete galvanic isolation

## Dimensions

Type	AO40-N
ID	6884218
Supply voltage	Via module rack, central power supply module
Power consumption	≤ 2.2 W
Power dissipation	≤ 1.5 W
Galvanic isolation	Complete galvanic isolation
Number of channels	4
Output circuits	0/4...20 mA
No-load voltage	16 VDC
External load	≤ 640 Ω
Short circuit	< 50 Ω (only in live zero mode)
Wire break	< 2 mA (only in live zero mode)
Reference temperature	25 °C
Resolution	13 Bit
Temperature drift	≤ 0.005 % of full scale/K
Rise time/fall time	≤ 50 ms (10...90 %)
Max. measurement tolerance under EMC influence	≤ 0.1 %
Displays/Operating elements	
Operational readiness	1 × green/red
State/ Fault	4 × red
Housing material	Plastic
Connection mode	module, plugged on rack
Protection class	IP20
Ambient temperature	-20...+70 °C
Relative humidity	≤ 93 % at 40 °C acc. to IEC 60068-2-78
Vibration test	Acc. to IEC 60068-2-6
Shock test	Acc. to IEC 60068-2-27
EMC	Acc. to EN 61326-1 Acc. to Namur NE21
MTTF	78 years acc. to SN 29500 (Ed. 99) 40 °C
Dimensions	18 x 118 x 106 mm

