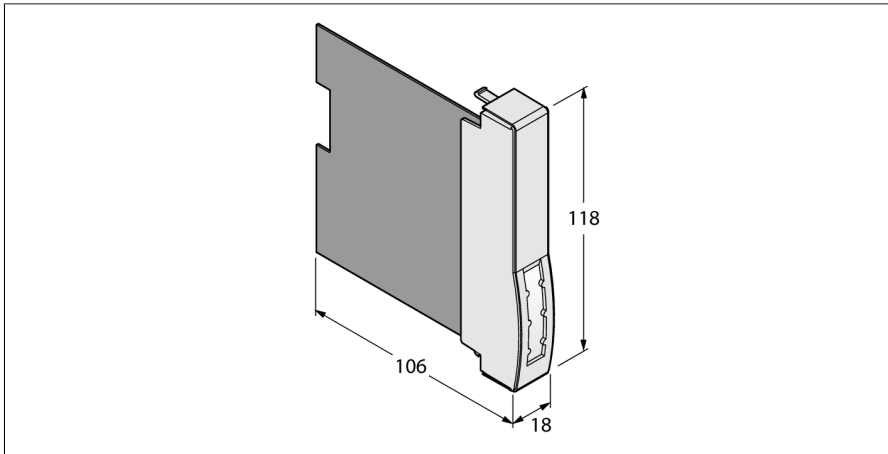


excom I/O System Dummy Module BM-N



- Dummy module for unused slots on the module rack

Type	BM-N
ID	6884226
Displays/Operating elements	
Protection class	IP20
Ambient temperature	-20...+70 °C
Dimensions	18 x 118 x 106 mm
Approvals	KCC