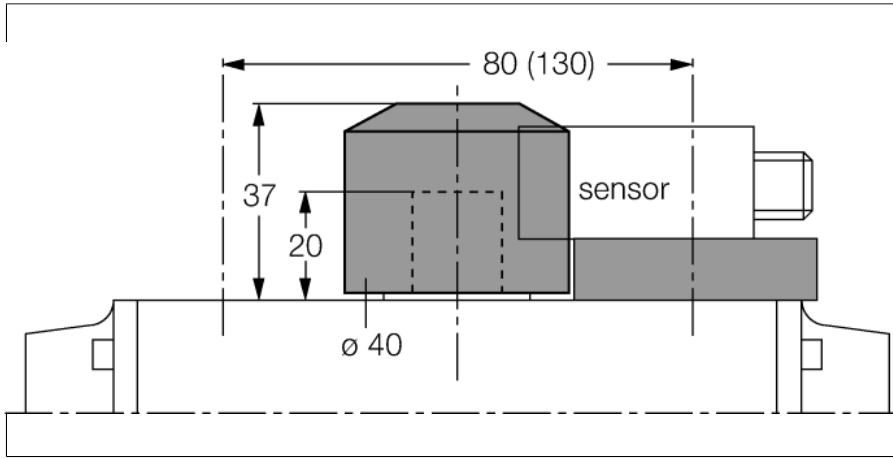


Accessories

Actuation kit (puck)

BTS-DS20-KEY



- End position damped and switchpoint adjustable
- Hole pattern on flange surface: 80 x 30 mm (130 x 30 mm)
- Connection shaft (shaft extension) height: 20 mm/Ø: max. 22 mm

General description

Dual sensors are especially designed for position detection in rotary actuators. They combine the reliability of non-contact inductive sensors with the flexibility of a modular housing system. A broad range of practice-oriented accessories ensure optimal adaption to your system.

Type	BTS-DS20-KEY
ID	6900136
Design	Accessories for dual sensor, Ni4-DS20-...
Housing material	Plastic, POM
Included in delivery	Actuator, spacer plate (10 mm), screws

