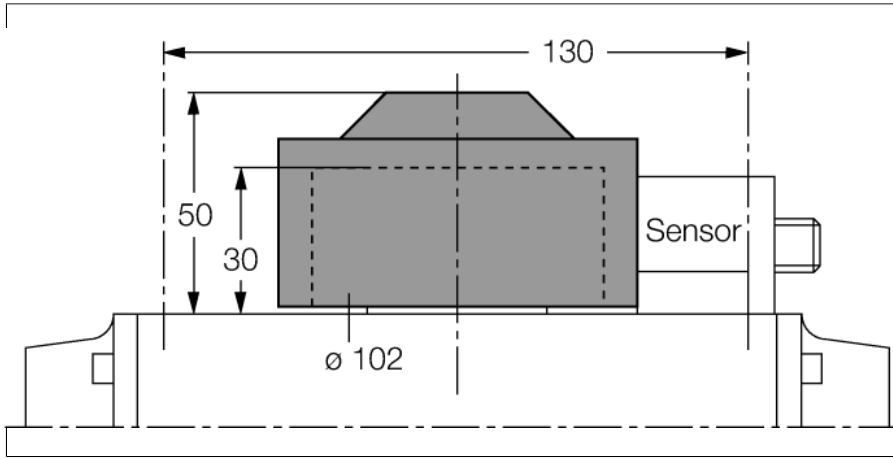


Accessories

Actuation kit (puck)

BTS-DSC26-EB3



- End position damped
- Displays rotatable by 90 °
- Hole pattern on flange surface: 30 x 130 mm
- Connection shaft (shaft extension) height: 30 mm/Ø: max. 85 mm

General description

Dual sensors are especially designed for position detection in rotary actuators. They combine the reliability of non-contact inductive sensors with the flexibility of a modular housing system. A broad range of practice-oriented accessories ensure optimal adaption to your system.

Type	BTS-DSC26-EB3
ID	6900224
Design	Accessories for dual sensor, Ni4-DSC26-..., Ni4-DSU26...
Housing material	Plastic, PA6
Tightening torque fixing screw	1.5 Nm
Included in delivery	Countersunk screw, M6 × 16, 1pcs., DIN 7991-A2

