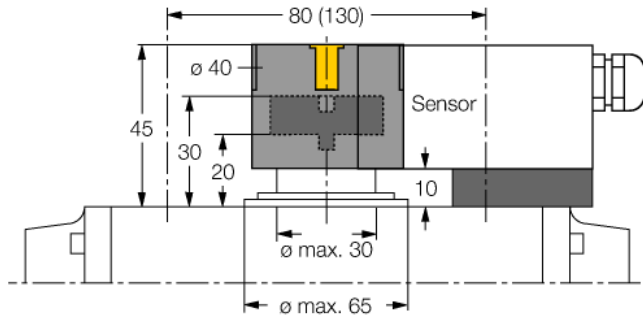


Accessories

Mounting Kit

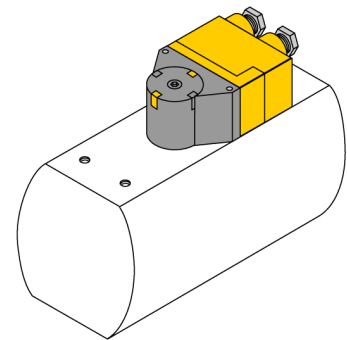
BTS-DSU35-Z01



Mounting kit for larger rotary actuators:
 Ø spacer plate and snap ring: max. 65 mm
 Hole pattern on flange surface: 30 x 80 mm
 (30 x 130 mm)
 Connection shaft (shaft extension) height:
 20 mm/Ø: max. 30 mm
 Included in delivery:
 1 spacer plate 10 mm
 1 spacer ring 10 mm
 Mounting the spacer plate:
 2 cylinder screws M5 × 22 [DIN 912-A2]
 2 lock washers A5 [DIN 137-A2]
 Mounting the puck with spacer ring:
 1 countersunk screw M6 × 36 [DIN 7991-A2])

General description

Dual sensors are especially designed for position detection in rotary actuators. They combine the reliability of non-contact inductive sensors with the flexibility of a modular housing system. A broad range of practice-oriented accessories ensure optimal adaption to your system.



Type	BTS-DSU35-Z01
ID	6900229
Design	Accessories for dual sensor, Ni4-DSU35...
Housing material	Plastic, POM