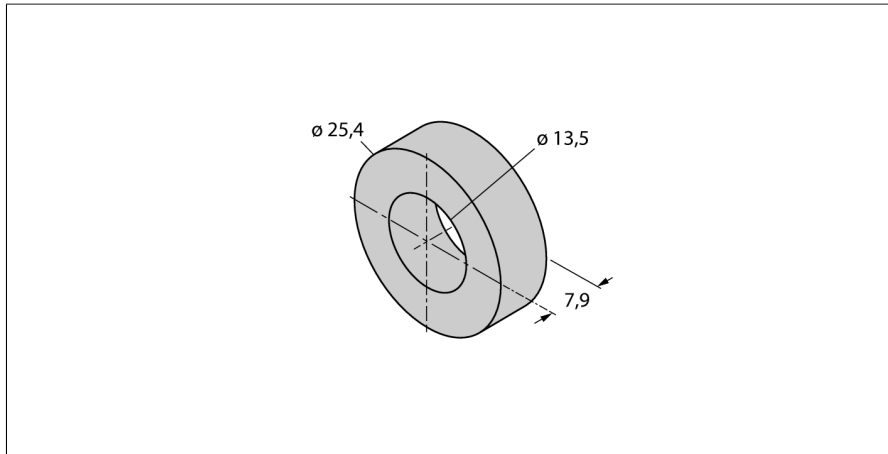


# Accessories

## Positioning Element

### For LTX Linear Position Sensors

#### CM-R10



- Standard positioning element
- Suitable for installation in hydraulic cylinders

Type	CM-R10
ID	6900416