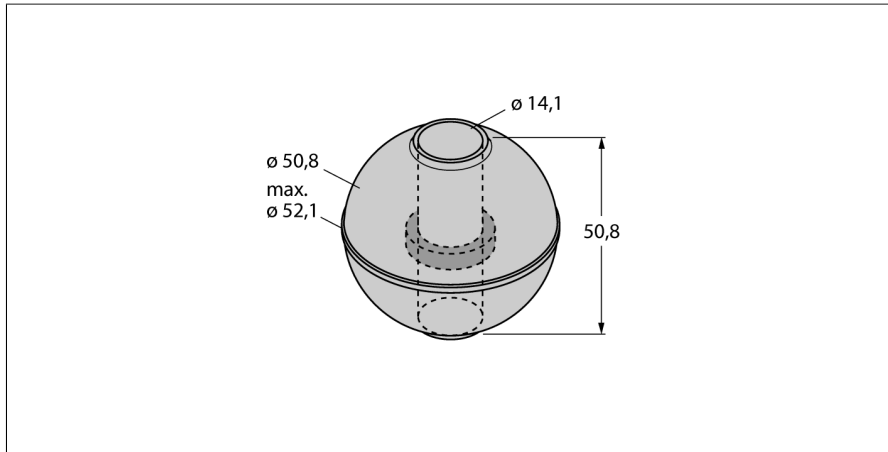


## Accessories

### Float-Type Positioning Element For LTX Linear Position Sensors EF-R10



- Float magnet
- Specific weight  $0.62 \text{ kg/m}^3$
- Max. collapse pressure 125 PSI
- Max. operating pressure 100 PSI
- Material: Stainless steel

Type	EF-R10
ID	6900417