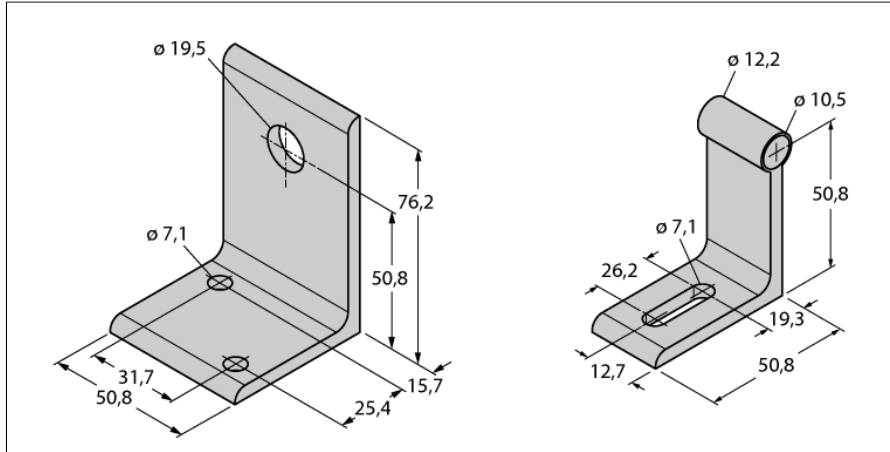


Accessories

Mounting Bracket

For LTX Linear Position Sensors

MB-R10



- Mounting bracket for sensor head and rod

Type	MB-R10
ID	6900419