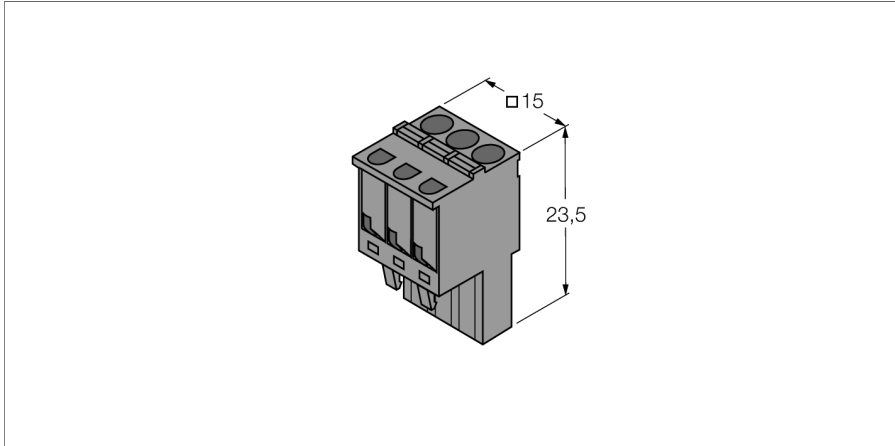


## Accessories

### Removable Spring-Type Terminals

#### IM-CC-3X2BU/2BK



- Removable cage clamp terminals for IM modules
- 3-pin
- Batch: 2 blue and 2 black clamps

Type	IM-CC-3X2BU/2BK
ID	6900475
Protection class	IP20
Weight	24 g

