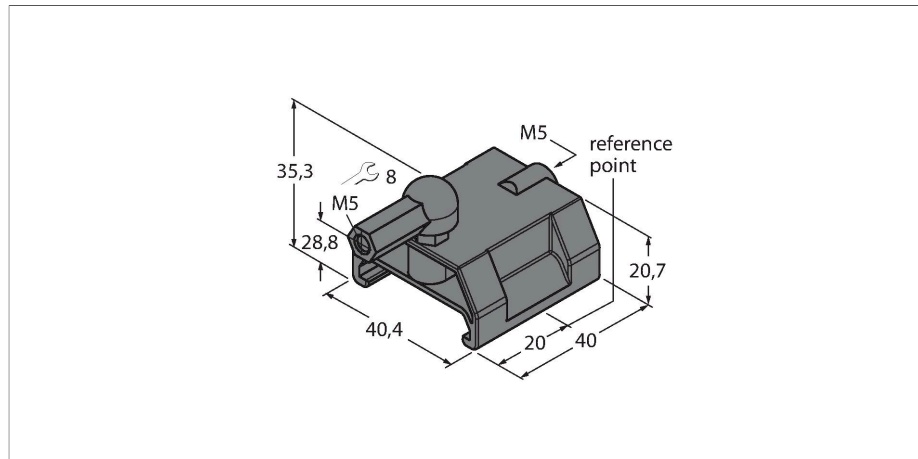


P1-LI-Q25L

Accessories – Positioning Element For Linear Position Sensors LI-Q25L



Features

- Guided positioning element
- This is inserted in the sensor guide groove
- Includes ball joint for flexible mounting

Technical data

Type	P1-LI-Q25L
ID	6901041
Design	P1-Li-Q25L
Housing material	Plastic