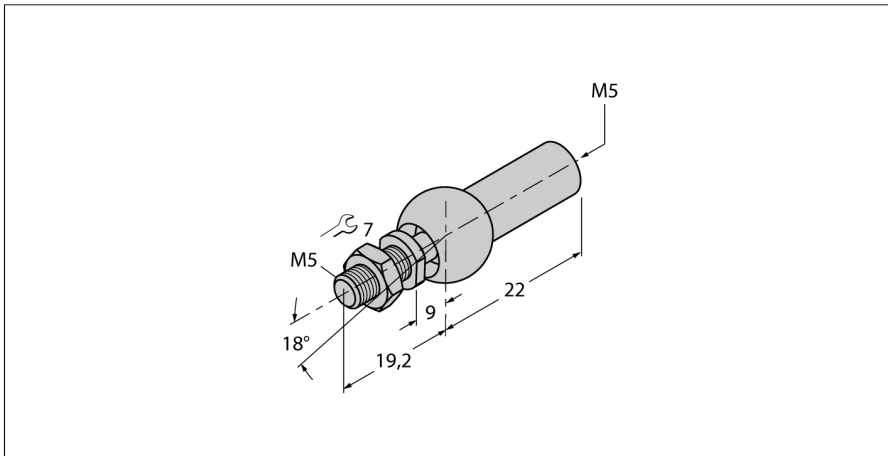


Accessories
Axial Joint for Guided Positioning Element
AB-M5

■ Axial joint for M5 thread



Type designation	AB-M5
Ident no.	6901057
Housing material	Metal