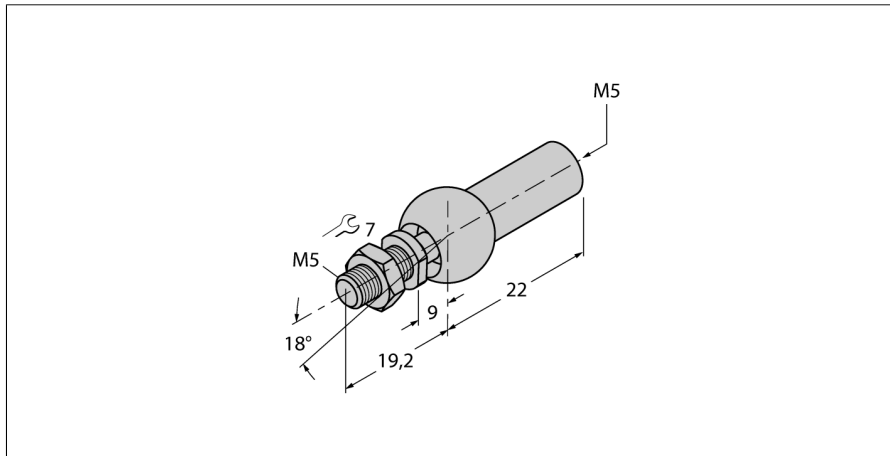


**Accessories**  
**Axial Joint for Guided Positioning Elements**  
**ABVA-M5**



- Axial joint for M5 thread
- Stainless steel, 1.4305

Type designation	ABVA-M5
Ident no.	6901058
Housing material	Stainless steel