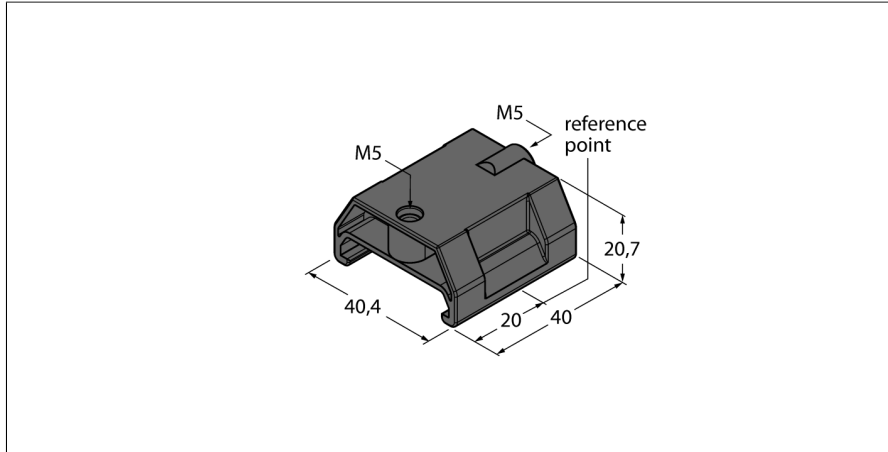


Accessories

Positioning Element

For Linear Position Sensors LI-Q25L

P7-LI-Q25L



- Guided positioning element
- This is inserted in the sensor guide groove

Type	P7-LI-Q25L
ID	6901087
Housing material	Plastic