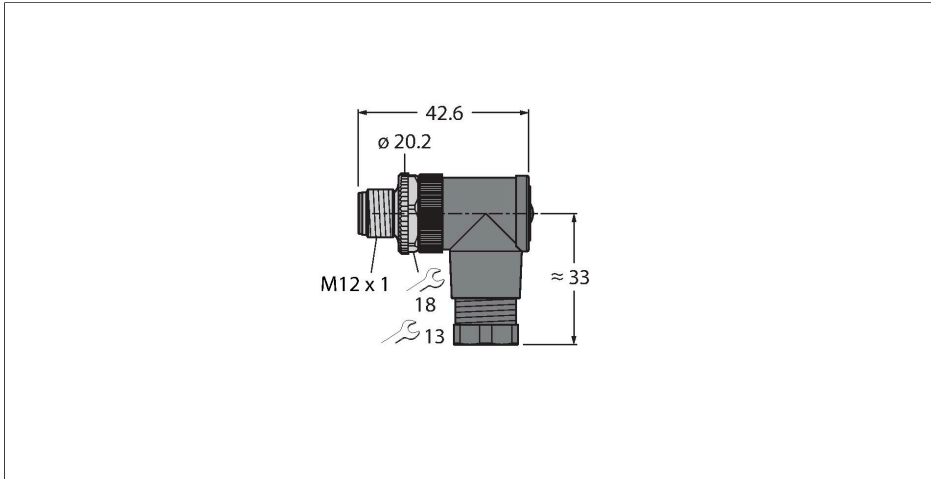


# BS8241-0

## Field-Wireable Connector

### Male Connector M12 × 1, Angled

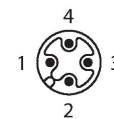


#### Features



- Metal coupling nut
- UL approval
- Screw-clamp terminal
- A-coding
- 4-pin
- PG7 screw-in thread
- Cable feedthrough 4.0...6.0 mm

#### Contact assignment



#### Technical data

Type	BS8241-0
ID	69011
Connector A	Male, M12 × 1, Angled, A-coded
Number of pins	4
Contacts	CuZn, Optalloy Coating
Contact carriers	Plastic, PA, Black
Connector body	Plastic, PA, Black
Coupling nut/screw	Die-cast Zinc, GD-Zn, Nickel-plated
Seal	Plastic
Screw-in thread seal	Plastic, FPM/FKM
Screw-in thread	PG7
External diameter of the cable	4...6 mm
Core cross-section/Clamping ability	0.14...0.75 mm <sup>2</sup>
Connection mode	Screw/clamp connection
Mechanical lifespan	> 100 Mating cycles
Protection class	IP67, (screwed together)
<b>Electrical properties at +20 °C</b>	
Rated voltage	250 V
Current	4 A
Insulation resistance	≥ 10 <sup>9</sup> Ω
forward resistance	≤ 8 mΩ
<b>Mechanical and chemical properties</b>	
Ambient temperature (fixed)	-40...+85 °C
Approvals	cULus recognized