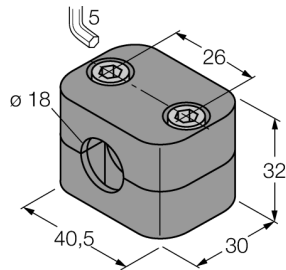


## Accessories

### Mounting Clamp

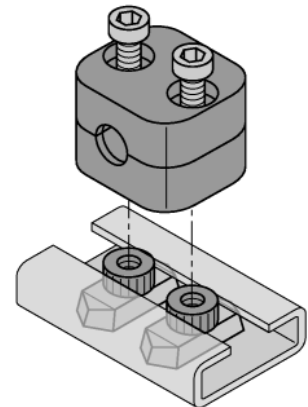
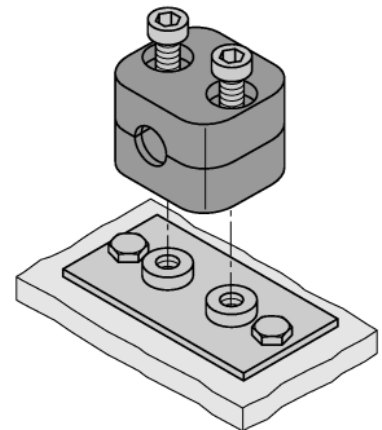
#### BSS-18



- Mounting accessories for M18 x1 threaded barrel sensors
- Plastics, polypropylene

#### General description

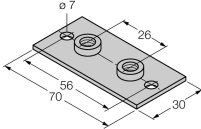
The portfolio consists of two half-shells and two Allen screws each. Optionally, welding plates or DIN rail nuts can be used (to be ordered separately).



<b>Type designation</b>	BSS-18
Ident no.	6901320
<b>Design</b>	Accessories for threaded barrel, M18
Dimensions	30 x 40.5 x 32 mm
Housing material	Plastic, PP, Green
Max. tightening torque of housing nut	1 Nm
<b>Included in delivery</b>	2 x Allen screws, M6

**Accessories**  
**Mounting Clamp**  
**BSS-18**

**Accessories**

Type code	Ident no.	Description	Dimension drawing
BSS-SPV2	6901316	Weld-on plate for BSS mounting brackets	
BSS-TSM 2 pcs	6901323	DIN rail nut for BSS mounting clamps, for mounting on DIN rails	