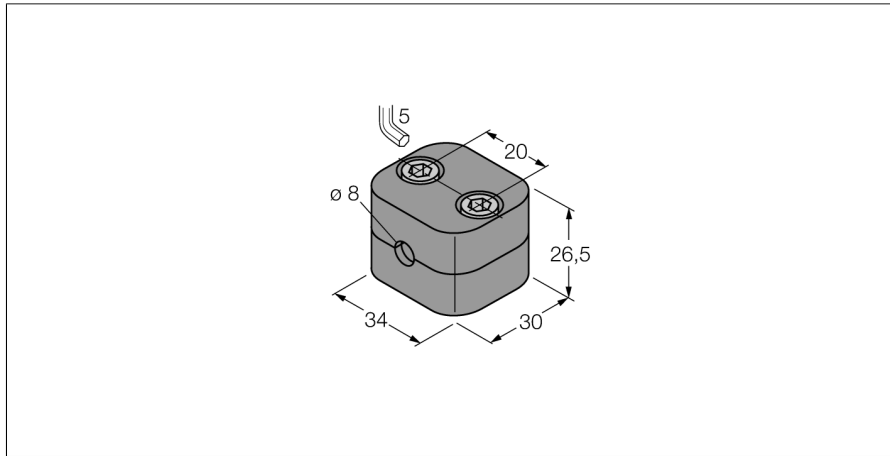


Mounting Accessories

Mounting Clamp

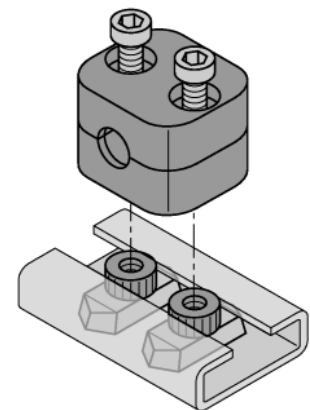
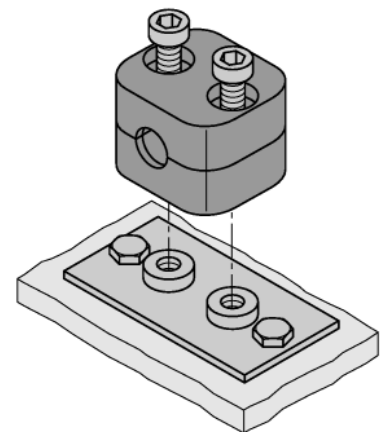
BSS-08



- Mounting clamp for M8 × 1 sensors
- Plastic, polypropylene

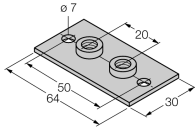
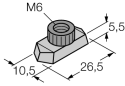
General description

The portfolio consists of two half-shells and two Allen screws each. Optionally, welding plates or DIN rail nuts can be used (to be ordered separately).



| | |
|---------------------------------------|-------------------------------------|
| Type | BSS-08 |
| ID | 6901322 |
| Design | Accessories for threaded barrel, M8 |
| Dimensions | 30 x 34 x 26.5 mm |
| Housing material | Plastic, PP, Green |
| Max. tightening torque of housing nut | 0.5 Nm |
| Included in delivery | 2 x Allen screws, M6 |

Accessories

| Type code | Ident no. | | Dimension drawing |
|---------------|-----------|--|---|
| BSS-SPV1 | 6901317 | Weld-on plate for BSS mounting brackets |  |
| BSS-TSM 2 pcs | 6901323 | DIN rail nut for BSS and BSM mounting clips, for mounting on DIN rails |  |