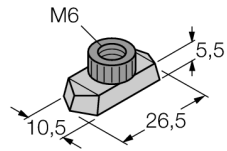


## Accessories

### DIN Rail Nut for Mounting Clamps

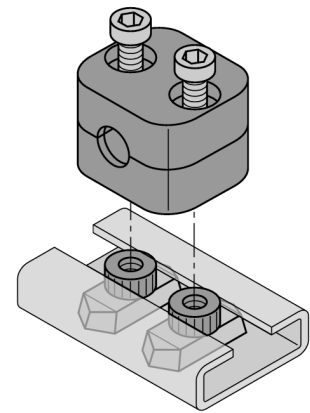
BSS-TSM 2 pcs



- DIN Rail Nut for Mounting Clamps
- For DIN rail TS 11

#### General description

The portfolio of mounting brackets consists of two half-shells and two Allen screws each. Optionally welding plates with additional drilling holes can be used. Matching DIN rail nuts are available for the mounting of DIN rails.



#### Type designation

Ident no.

BSS-TSM 2 pcs

6901323

#### Dimensions

Housing material

26.5 x 10.5 mm

Metal