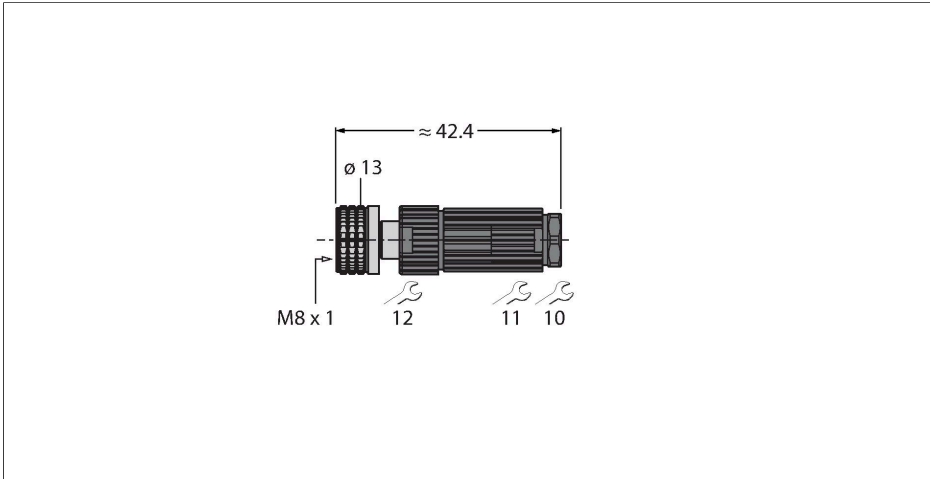


# H5131-0

## Field-Wireable Connector

### Female Connector M8 × 1/Ø 8 mm, Straight



#### Features



- Metal coupling nut
- Protection class IP67
- Penetration technology
- 3-pin
- M9.5 × 1 metric screw-in thread

#### Contact assignment



#### Technical data

Type	H5131-0
ID	6902700
Connector A	Female, M8 × 1, Straight
Number of Pins	3
Contacts	Bronze, CuSn, Gold-plated
Contact carriers	Plastic, PA, Black
Connector body	PA, Black
Coupling nut/screw	Zinc-Aluminum, ZnAl, Nickel-plated
Seal	Plastic, FPM/FKM
Screw-in thread	M9.5x1
External diameter of the cable	4...5 mm
Core cross-section/Clamping ability	0.14...0.34 mm <sup>2</sup>
Connection mode	Pressfit technology
Protection class	IP67, (screwed together)
<b>Electrical properties at +20 °C</b>	
Rated voltage	50 V <sub>AC</sub> /60 V <sub>DC</sub>
Current	4 A
Insulation resistance	≥ 10 <sup>8</sup> Ω
forward resistance	≤ 5 mΩ
<b>Mechanical and chemical properties</b>	
Ambient temperature range (stationary)	-25...+70 °C