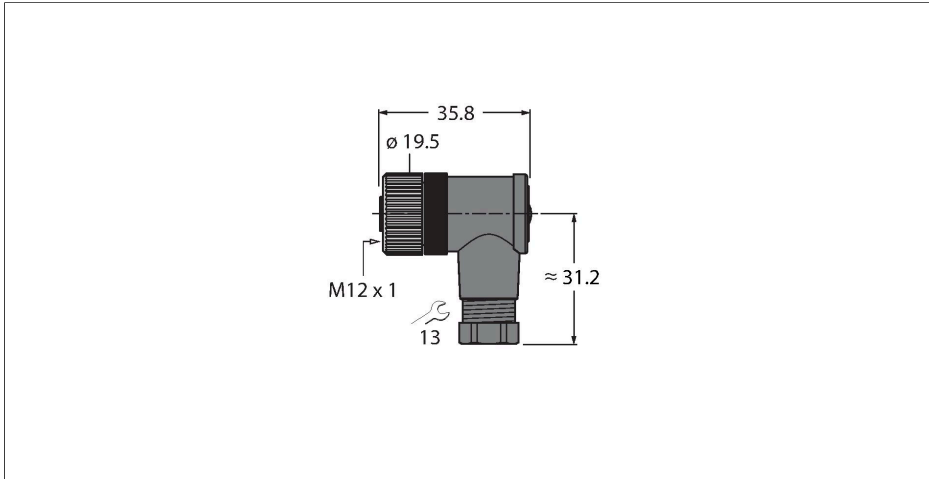


B8251-0

Field-Wireable Connector

Female Connector M12 × 1, Angled

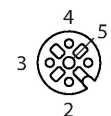


Features



- A-coding
- Plastic coupling nut
- UL approval
- Screw-clamp terminal
- A-coding
- 5-pin
- PG7 screw-in thread
- Cable feedthrough 4.0...6.0 mm

Contact assignment



Technical data

Type	B8251-0
ID	6904602
Connector A	Female, M12 × 1, Angled, A-coded
Number of Pins	5
Contacts	CuZn, Optalloy Coating
Contact carriers	Plastic, PA, Black
Connector body	Plastic, PA, Black
Coupling nut/screw	Plastic, PA, Black
Seal	Plastic, FPM/FKM
Screw-in thread seal	plastic, FPM/FKM
Screw-in thread	PG7
External diameter of the cable	4...6 mm
Core cross-section/Clamping ability	0.14...0.75 mm ²
Connection mode	Screw/clamp connection
Mechanical lifespan	> 50 Mating cycles
Protection class	IP67, (screwed together)
Electrical properties at +20 °C	
Rated voltage	125 V
Current	4 A
Insulation resistance	≥ 10 ⁸ Ω
forward resistance	≤ 8 mΩ
Mechanical and chemical properties	
Ambient temperature range (stationary)	-40...+85 °C
Approvals	cULus recognized