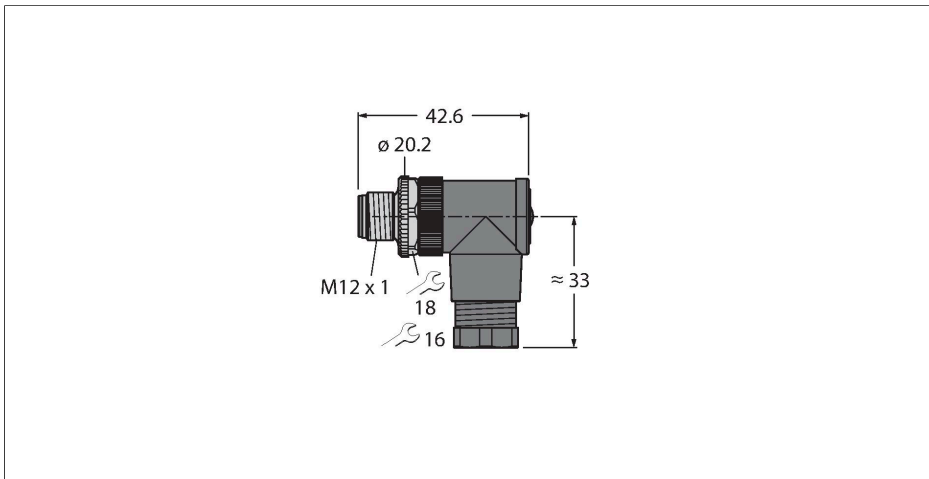


BS8251-0/PG9

Field-Wireable Connector

Male Connector M12 × 1, Angled

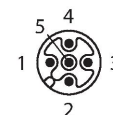


Features



- For use in DeviceNet™/CANopen applications
- A-coding
- Screw-clamp terminal
- 5-pin
- PG9 screw-in thread
- Cable diameter 6.0...8.0 mm
- UL approval

Contact assignment



Technical data

Type	BS8251-0/PG9
ID	6904615
Connector A	Male, M12 × 1, Angled, A-coded
Number of Pins	5
Contacts	CuZn, Optalloy Coating
Contact carriers	PA, Black
Connector body	Plastic, Black
Coupling nut/screw	Die-cast Zinc, GD-Zn, Nickel-plated
Screw-in thread	PG9
External diameter of the cable	6...8 mm
Core cross-section/Clamping ability	0.14...0.75 mm ²
Connection mode	Screw/clamp connection
Mechanical lifespan	> 50 Mating cycles
Protection class	IP67, (screwed together)
Network protocol	DeviceNet CANopen
Electrical properties at +20 °C	
Rated voltage	125 V
forward resistance	≤ 8 mΩ
Mechanical and chemical properties	
Ambient temperature range (stationary)	-40...+85 °C
Approvals	UL