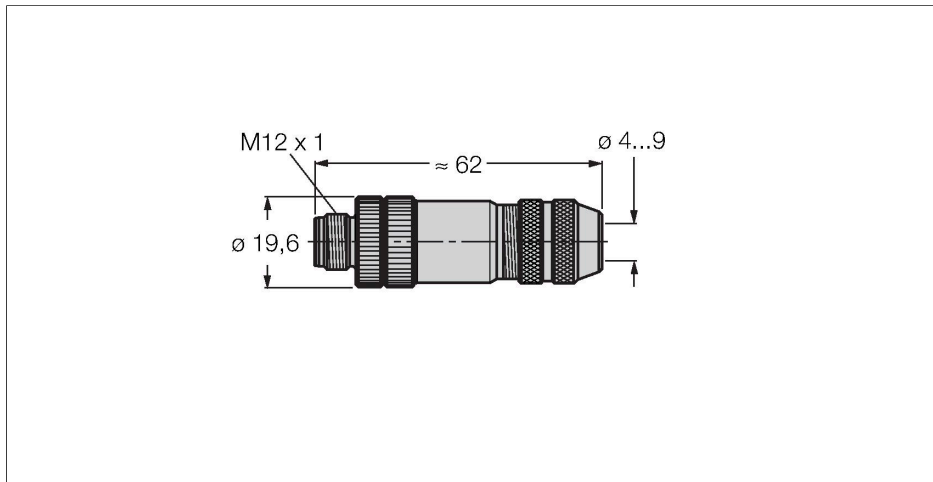


# BMSS8141-0/9

## Field-Wireable Connector

### Male Connector M12 × 1, Straight

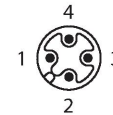


#### Features



- Shielding via insulated shield bus
- 4-pin
- 4-pole, straight, nickel-plated brass grip
- Cable outlet 4.0...9.0 mm
- For use in PROFIBUS-PA applications

#### Contact assignment



#### Headline Wiring Diagram

PROFIBUS-PA Connection



#### Technical data

Type	BMSS8141-0/9
ID	6904701
Connector A	Male, M12 × 1, Straight, A-coded
Number of Pins	4
Contacts	CuZn, CuSnZn, Optalloy Coating
Contact carriers	PA, Gray
Connector body	Metal, GD-ZnAl, nickel-plated, Gray
Coupling nut/screw	Brass, CuZn, Nickel-plated
Seal	FKM/FPM
Screw-in thread	PG9
External diameter of the cable	4...9 mm
Core cross-section/Clamping ability	0.14...0.75 mm <sup>2</sup>
Protection class	IP67, (screwed together)
Network protocol	PROFIBUS-PA
<b>Electrical properties at +20 °C</b>	
Rated voltage	125 V
<b>Mechanical and chemical properties</b>	
Ambient temperature range (stationary)	-25 °C