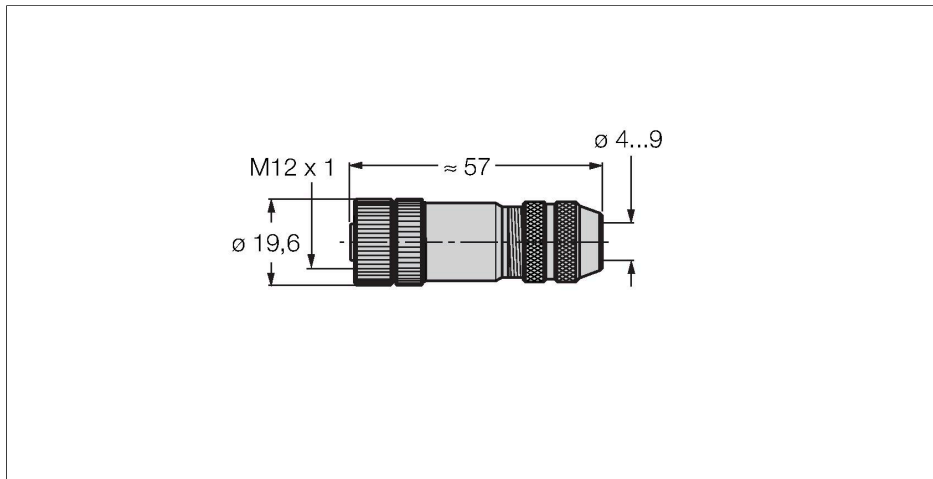


BMS8141-0/9

Field-Wireable Connector

Female Connector M12 × 1, Straight

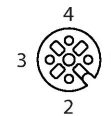


Features



- Shielding via insulated shield bus
- 4-pin
- 4-pole, straight, nickel-plated brass grip
- Cable outlet 4.0...9.0 mm
- For use in PROFIBUS-PA applications

Contact assignment



Headline Wiring Diagram

PROFIBUS-PA Connection



Technical data

| | |
|---|-------------------------------------|
| Type | BMS8141-0/9 |
| ID | 6904702 |
| Connector A | Female, M12 × 1, Straight, A-coded |
| Number of Pins | 4 |
| Contacts | CuZn, CuSnZn, Optalloy Coating |
| Contact carriers | PA, Gray |
| Connector body | Metal, GD-ZnAl, nickel-plated, Gray |
| Coupling nut/screw | Brass, CuZn, Nickel-plated |
| Seal | Plastic, FKM/FPM |
| Screw-in thread | PG9 |
| External diameter of the cable | 4...9 mm |
| Core cross-section/Clamping ability | 0.14...0.75 mm ² |
| Connection mode | Screw/clamp connection |
| Protection class | IP67, (screwed together) |
| Network protocol | PROFIBUS-PA |
| Electrical properties at +20 °C | |
| Rated voltage | 125 V |
| Mechanical and chemical properties | |
| Ambient temperature range (stationary) | -25 °C |