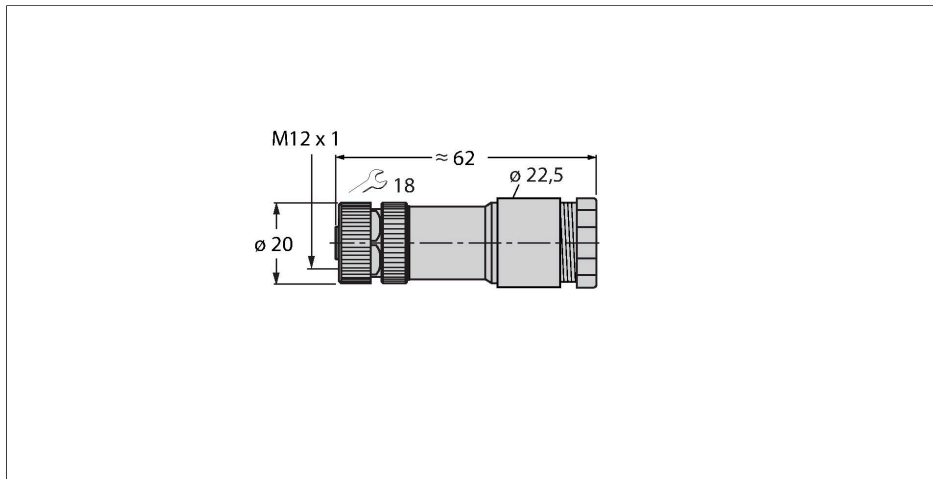


BWS8151-12.5

Field-Wireable Connector

Female Connector M12 × 1, Straight



Features



- Screw-clamp terminal
- Field-wireable female connector
- Electrical connection M12 × 1
- Straight design
- B-coding
- 5-pin
- PG13.5 screw-in thread
- Cable feedthrough 10.0...12.5 mm

Technical data

Type	BWS8151-12.5
ID	6904805
Connector A	Female, M12 × 1, Straight, B-coded
Number of Pins	5
Contacts	CuZn, Optalloy Coating
Contact carriers	PA, Black
Connector body	Plastic, PBT(UL 94 V0), Black
Coupling nut/screw	Die-cast Zinc, GD-Zn, Nickel-plated
Seal	Plastic, FPM/FKM
External diameter of the cable	12.5 mm
Core cross-section/Clamping ability	max. 0.75 mm ²
Connection mode	Screw/clamp connection
Mechanical lifespan	> 500 Mating cycles
Protection class	IP67, (screwed together)
Electrical properties at +20 °C	
Rated voltage	125 V
Current	9 A
forward resistance	≤ 8 mΩ
Mechanical and chemical properties	