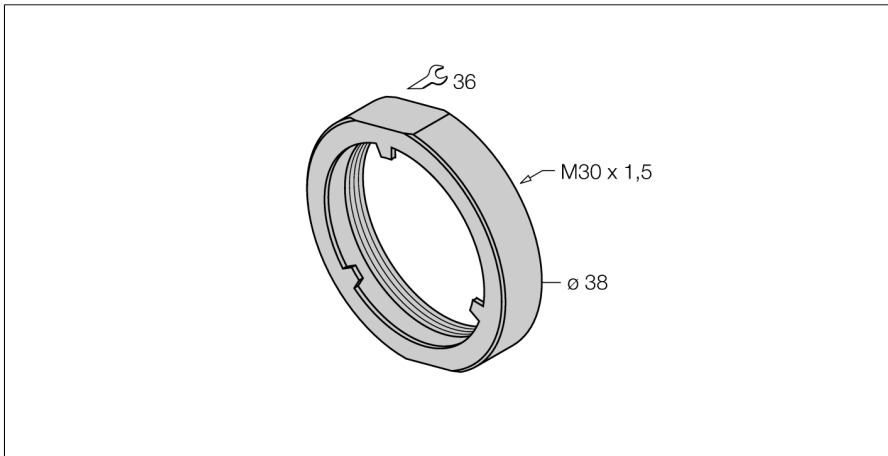


Accessories
screw cap
PN-M30



- Protective nut for flush mountable uprox+ sensors
- For M30 x1.5 threaded barrel sensors
- Stainless steel A2 1.4305 (AISI 303)

General description

The screw caps are screwed on the head of an uprox®+ flush sensor, protecting this way the active face against damages. Recessed mounting of the sensor head is obtained by the shroud, this way mechanical strains work on the screw cap but not on the sensor.

Type designation	PN-M30
Ident no.	6905308
Design	Accessories for threaded barrel, M30
Housing material	Metal, 1.4305 (AISI 303)

