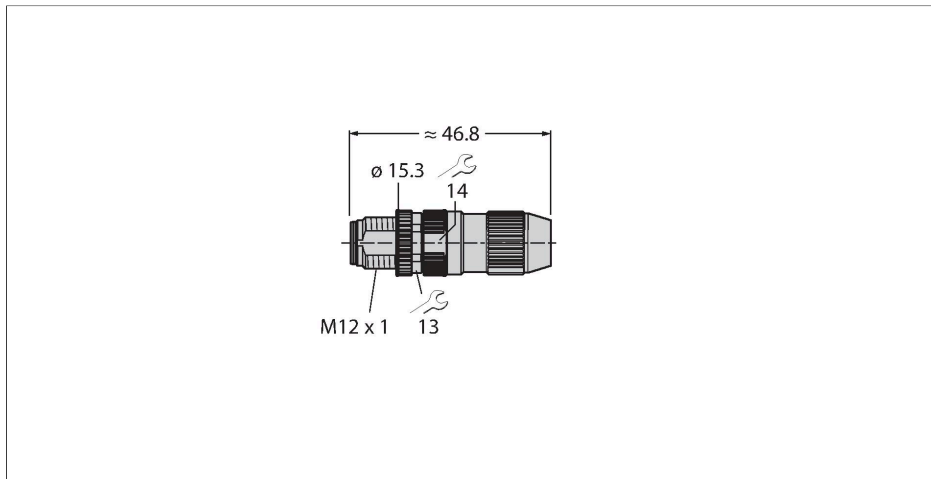


HAS8141-0

Accessories for Sensors and Actuators – Field-wireable connector, straight

M12 × 1 Male Connector, Straight

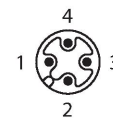


Features



- Metal coupling nut
- Protection class IP67
- IDC quick connection
- A-coding
- 4-pin
- M12 × 1 metric screw-in thread
- Cable feedthrough 4.0...5.1 mm

Contact assignment



Technical data

Type	HAS8141-0
ID	6905406
Connector A	Male, M12 × 1, Straight, A-coded
Number of Pins	4
Contacts	CuZn, Gold-plated
Contact carriers	Plastic, PA, Black
Connector body	Plastic, PA, Black
Coupling nut/screw	Brass, CuZn, Nickel-plated
Screw-in thread seal	plastic, FPM/FKM
Screw-in thread	M12 × 1
External diameter of the cable	4...5.1 mm
Core cross-section/Clamping ability	0.14...0.34 mm ²
Connection mode	Insulation displacement terminal
Protection class	IP67, (screwed together)
Electrical properties at +20 °C	
Rated voltage	32 V
Current	4 A
Insulation resistance	≥ 10 ⁸ Ω
forward resistance	≤ 5 mΩ
Mechanical and chemical properties	
Ambient temperature range (stationary)	-5 °C...+50 °C