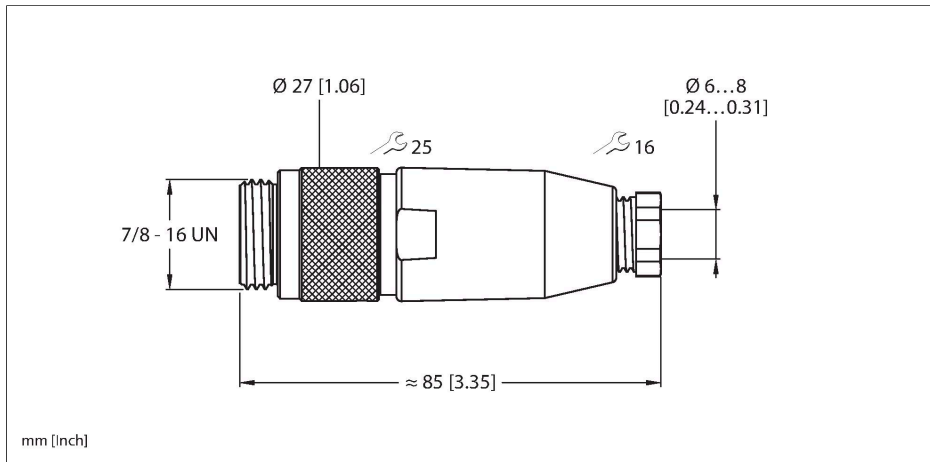


# BS4131-0/9

## 7/8" Power

### 7/8" Male, Straight



#### Features



- Screw terminal connection
- 3-pin
- PG9 screw-in thread
- Cable feedthrough 6.0...8.0 mm

#### Contact assignment



#### Technical data

Type	BS4131-0/9
ID	6914502
Connector A	Male, 7/8"-16 UN, Straight
Number of Pins	3
Contacts	Metal, CuZn, Gold-plated
Contact carriers	Plastic, TPU, Black
Connector body	Plastic, PA, Black
Coupling nut/screw	Aluminum, Al, Anodized
Seal	Plastic, NBR
Screw-in thread seal	plastic, NBR
Screw-in thread	PG9
External diameter of the cable	6...8 mm
Core cross-section/Clamping ability	0.34...1.5 mm <sup>2</sup>
Connection mode	Screw/clamp connection
Mechanical lifespan	> 100 Mating cycles
Pollution degree	3
Protection class	IP67, Only in screwed condition
<b>Electrical properties at +20 °C</b>	
Rated voltage	250 V
Current	12 A
forward resistance	≤ 5 mΩ
<b>Mechanical and chemical properties</b>	
Ambient temperature range (stationary)	-40...+90 °C
Ambient temperature range (In motion)	-40...+90 °C