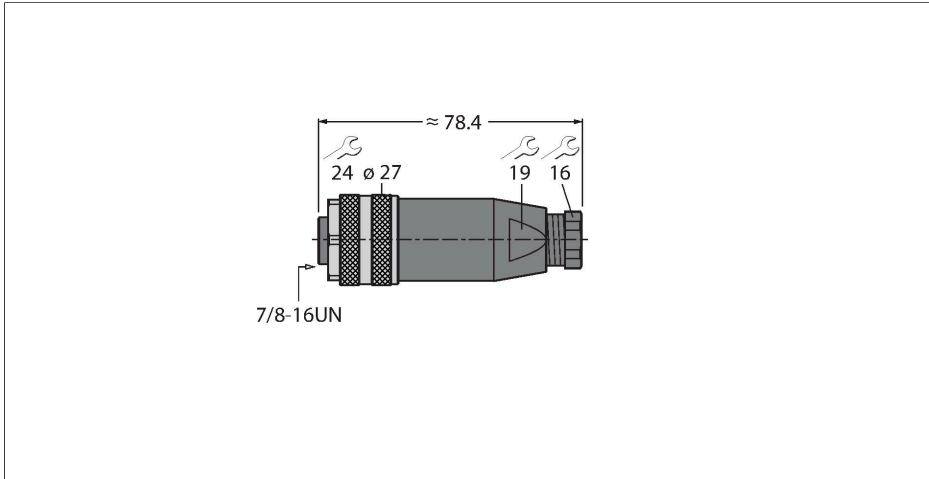


B4151-0/11

Accessories for Fieldbus Systems

7/8" Female, Straight



Features



- Screw-clamp terminal
- 5-pin
- PG11 screw-in thread
- Cable feedthrough 8.0 ... 10.0 mm

Contact assignment



Headline Wiring Diagram

Fieldbus



Po-w-er Supply



Technical data

Type	B4151-0/11
ID	6914526
Connector A	Female, 7/8"-16 UN, Straight
Number of Pins	5
Contacts	Bronze, CuSn, Gold-plated
Contact carriers	Plastic, PA 66 (UL 94 HB), Black
Connector body	Plastic, PBT(UL 94 V0), Black
Coupling nut/screw	Aluminum, Al, Anodized
Seal	Plastic, NBR
Screw-in thread seal	plastic, NBR
Screw-in thread	PG11
External diameter of the cable	8...10 mm
Core cross-section/Clamping ability	0.14...1.5 mm ²
Connection mode	Screw/clamp connection
Mechanical lifespan	> 50 Mating cycles
Pollution degree	3
Protection class	IP67
Network protocol	DeviceNet CANopen
Electrical properties at +20 °C	
Rated voltage	600 V
Current	9 A
forward resistance	≤ 3 mΩ
Mechanical and chemical properties	
Ambient temperature range (stationary)	-25...+85 °C

Technical data

Ambient temperature range (In motion) -25...+85 °C
