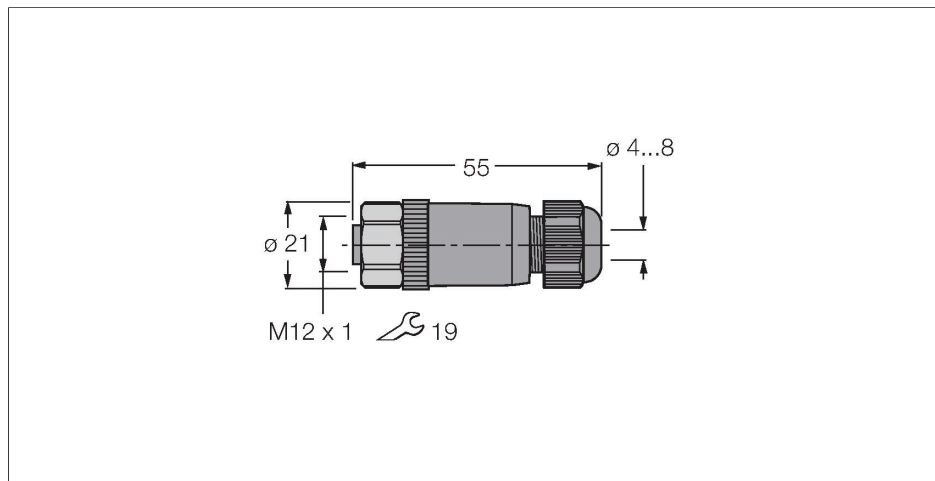


BKV8140-0/9

Field-Wireable Connector

Female Connector M12 × 1, Straight

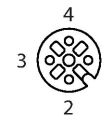


Features



- 4-pin
- Stainless steel coupling nut, straight, 4-pin
- Cable outlet 4.0...8.0 mm
- For use in PROFIBUS-PA and FOUNDATION fieldbus applications

Contact assignment



Headline Wiring Diagram

PROFIBUS-PA Connector FOUNDATION™ fieldbus Connector



Technical data

Type	BKV8140-0/9
ID	6914538
Connector A	Female, M12 × 1, Straight, A-coded
Number of Pins	4
Contacts	CuZn, CuSnZn, Optalloy Coating
Contact carriers	PA, Black
Connector body	Plastic, PA, Black
Coupling nut/screw	Stainless Steel, 1.4404, Passivated
Seal	Plastic, FKM/FPM
Screw-in thread	PG9
External diameter of the cable	4...8 mm
Core cross-section/Clamping ability	0.14...0.75 mm ²
Connection mode	Screw/clamp connection
Protection class	IP67, (screwed together)
Network protocol	PROFIBUS-PA FOUNDATION fieldbus
Electrical properties at +20 °C	
Rated voltage	250 V
Mechanical and chemical properties	
Ambient temperature range (stationary)	-25...+90 °C