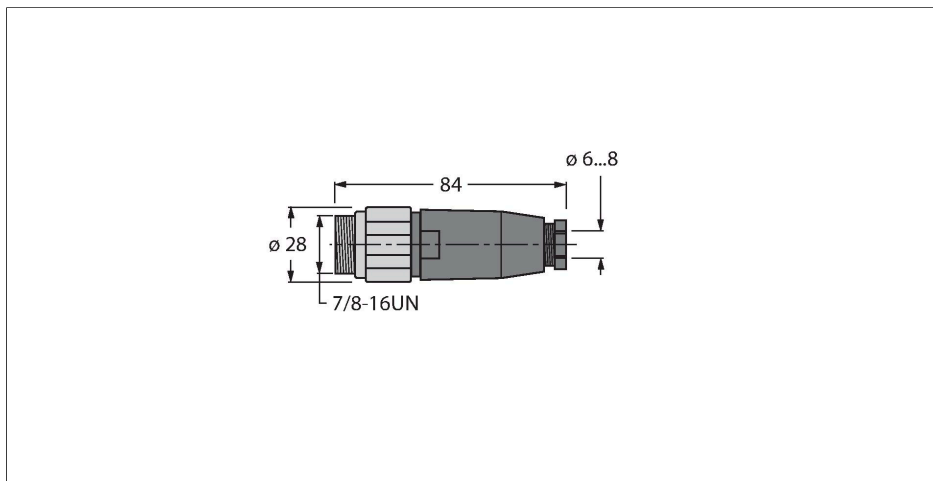


# BSV4140-0/9

## Accessories for Fieldbus Systems

### 7/8" Male, Straight



#### Technical data

Type	BSV4140-0/9
ID	6914542
Connector A	Male, 7/8"-16 UN, Straight
Number of Pins	4
Contacts	Metal, CuZn, Gold-plated
Contact carriers	Plastic, TPU, Black
Connector body	Plastic, PA, Black
Coupling nut/screw	Stainless Steel, 1.4404, Passivated
Seal	Plastic, NBR
Screw-in thread seal	plastic, NBR
Screw-in thread	PG9
External diameter of the cable	6...8 mm
Core cross-section/Clamping ability	0.14...1 mm <sup>2</sup>
Connection mode	Screw/clamp connection
Mechanical lifespan	> 100 Mating cycles
Pollution degree	3
Protection class	IP67
Network protocol	PROFIBUS-PA
<b>Electrical properties at +20 °C</b>	
Rated voltage	250 V
Current	9 A
forward resistance	≤ 5 mΩ
<b>Mechanical and chemical properties</b>	
Ambient temperature range (stationary)	-40...+90 °C
Ambient temperature range (In motion)	-40...+90 °C

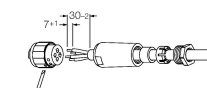


#### Features



- For use in PROFIBUS-PA and FOUNDATION fieldbus applications
- Screw-clamp terminal
- Stainless steel coupling nut
- 4-pin
- PG9 screw-in thread
- Cable feedthrough 6.0...8.0 mm

#### Contact assignment



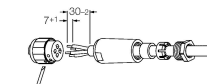
#### Headline Wiring Diagram

PROFIBUS-PA Connection FOUNDATION fieldbus connection



#### Heading wiring diagram 3

Composition



## Technical data

### Note

- We reserve the right to make technical modifications without prior notice.

---